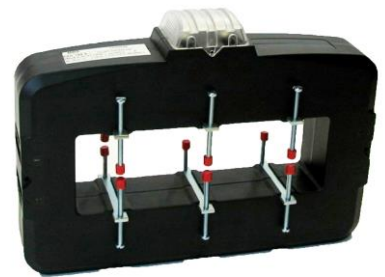









Innovations

We make Energy measurable and secure your future

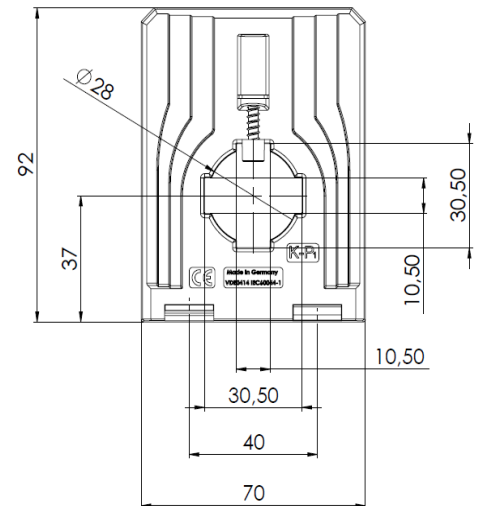
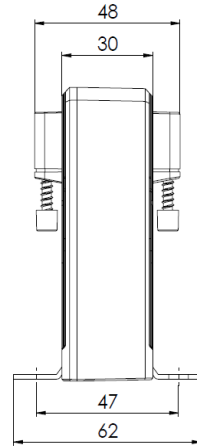


Contents

CCT All current sensor (Measuring transducer) for direct and alternating currents			Page 3
	CCT 31.3 RMS	Auxiliary voltage 24 V DC; Output: 4...20 mA DC	Page 3
	CCT 31.3 I	Auxiliary voltage ± 12 V DC; Output: DC: $0... \pm 20$ mA / AC: $0...20$ mA I_{eff}	Page 5
	CCT 31.3 U	Auxiliary voltage ± 12 V DC; Output: DC: $2,5$ V ± 1 V / AC: $2,5$ V $\pm 1,414$ V	Page 7
Low voltage current transformers			Page 9
	KBR	New, compact split-core current transformer	Page 9
	CTB	Plug-in current transformer with screwless terminals „Cage Clamp®“, UL-certified	Page 15
	ASRD	Three single-phase current transformer set	Page 27
	AS, ASK	Plug-in current transformer	Page 29
	ASG	Measuring and protection current transformer in one housing, PU-hardened	Page 37
Measuring transducer			Page 41
	SWMU	Measuring transducer for alternating current with integrated CT	Page 41

CCT 31.3 RMS (Compensation current transformer, GMW All current sensors) Current transformers for the measurement of direct and alternating currents

- For measuring of non-sinusoidal and distorted networks
- As a measuring transducer for the direct input wiring of SPS input cards



Additional accessories:
Snap-on mounting to clip onto
35 mm DIN rail (Art.-no. 53011)

Dimensions:	Applicable technical standards:	Electric connections:
Bus bar: 30x10 mm	DIN EN 50178, 1997	$U_H + 0$ (Ground) I_A
Round conductor: 28 mm	DIN EN 61010-1, 2002	Spring clamp terminal
Transformer width: 70 mm	VDE 0160	Connection cross sections: 0.08...2.5 mm ²
Transformer height: 92 mm		
Transformer depth: 48 mm		

Technical data:	
Measuring range:	0...300 A DC / 0...300 A I_{RMS} AC, depends on varieties! (Nominal current ranges adjusted to standard values according to IEC)
Frequency range:	DC, or AC 20 Hz ... 6 kHz, Crest-factor ≤ 4
Current output:	4...20 mA DC, RMS measurement
Max. burden resistance at current output:	$R_B \leq 500 \Omega$ ($U_H = 24$ V DC)
Current limit under overload:	< 25 mA
Accuracy:	$\pm 1,0$ %
Max. operating voltage U_m :	0,72 kV, U_{eff}
Isolation test voltage:	6,4 kV, U_{eff} , 50 Hz, 5 sec., primary conductor against measuring output / housing
Auxiliary voltage:	24 V ± 15 % DC, < 70 mA, external protection via microfuse 100 mA / 250 V, fast!
Step response time (90 % I_{PN} , $di/dt = 100$ A / μ s):	≤ 200 ms (typ. 150 ms)
Signal rise speed di/dt :	< 100 A / μ s
Isolation class	E
Protection class	IP 20
Max. temperature of the primary conductor:	100° C
Operating temperature:	-25° C $< T_U < +60$ ° C, 0...95% rH, without condensation
Storage temperature:	-40° C $< T_L < +90$ ° C

Gilgen, Müller & Weigert (GMW) GmbH & Co. KG

Am Farrnbach 4A · 90556 Cadolzburg
Germany

Phone: +49 9103 7129-0 · Fax: +49 9103 7129-207/-205
E-Mail: info@g-mw.de · Web: www.g-mw.de

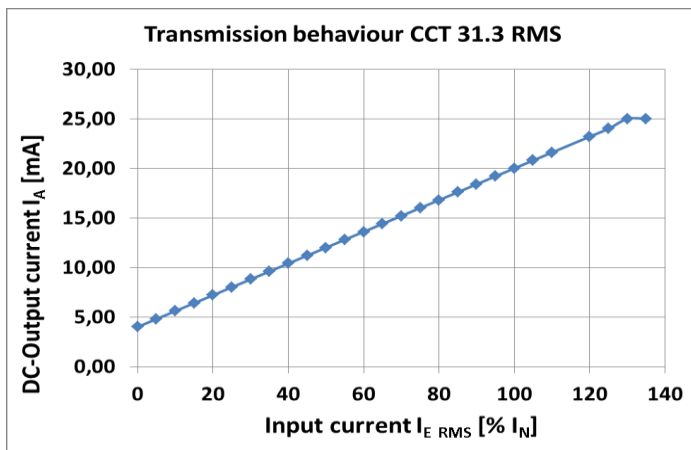
Functions of the CCT 31.3 RMS:

- Electricity is conducted over the magnetic field and is captured by the measuring core. The current induced in the measuring core is proportional to the magnetic flow and is captured by a semi-conductor element. An integrated electronic control unit converts the semi-control signal into a true effective value of the measuring size in proportion to the DC output current signal. The true effective value is calculated by the delta-sigma-method.
- A contactless inductive captured parameter creates a galvanically separated output signal.
- Electrical contact with the secondary circuit of the current transformer is achieved by means of a 4-pole spring-clamp. This clamp is suitable for connection to a flexible conductor up to 2.5 mm².
- A DC auxiliary voltage of 24 V is required to supply the electronic controls. The auxiliary voltage input must be secured by a HRC fuse size of 100 mA / 250 V/F.

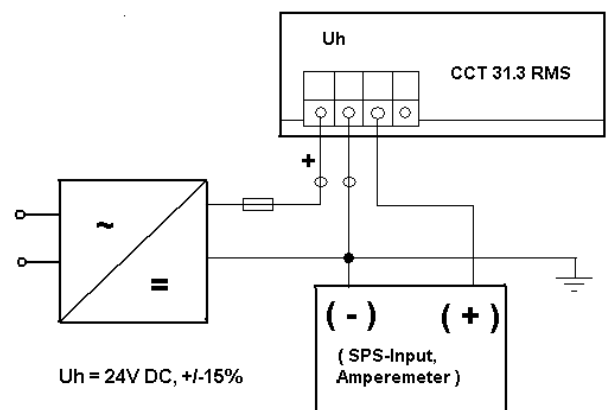
Advantages and benefits of the CCT 31.3 RMS:

- Measuring of direct current as well as alternating current with only one current transformer is possible.
- Exact calculation of the true effective value of any temporal process of the current which is to be measured.
- Large working frequency range from 0 Hz (DC) or 20 Hz...6 kHz (AC).
- High electric protection of the galvanically isolated capture of the measured variable.
- Low power-consumption (≤ 2.5 VA)
- Easy and safety electrical connection by means of spring clamp terminal.
- Direct mounting onto the bus bar by means of integrated fixing screws which are part of the unit.
- Mounting onto 35 mm DIN-rail by means of optional supply of snap-on mounting.
- High climatic and mechanical durability, PU-resin hardened enclosures of all electrical components.

Transfer ratio of the CCT 31.3 RMS:



Wiring Diagram of the CCT 31.3 RMS:



Order list:

Type	Primary current I_{RMS} [A]	Art.-no.	Current output
CCT 31.3 RMS	50	1001103-10001	4...20 mA DC
	100	1001103-10003	
	150	1001103-10005	
	200	1001103-10006	
	250	1001103-10007	
	300	1001103-10008	

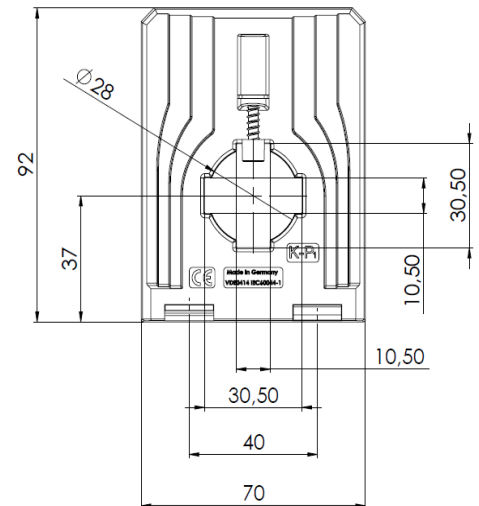
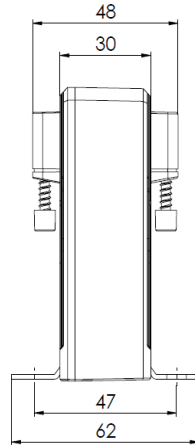
Gilgen, Müller & Weigert (GMW) GmbH & Co. KG

Am Farrnbach 4A · 90556 Cadolzburg
Germany

Phone: +49 9103 7129-0 · Fax: +49 9103 7129-207/-205
E-Mail: info@g-mw.de · Web: www.g-mw.de

CCT 31.3 I (Compensation current transformer, GMW All current sensors) Current transformers for the measurement of direct and alternating currents

- For network analysis, monitoring,
- and measuring of non-sinusoidal and distorted networks



Additional accessories:
Snap-on mounting to clip onto
35 mm DIN rail (Art.-no. 53011)

Dimensions:	Applicable technical standards:	Electric connections:
Bus bar: 30x10 mm	DIN EN 50178, 1997	$U_H + 0$ (Ground) I_A
Round conductor: 28 mm	DIN EN 61010-1, 2002	Spring clamp terminal
Transformer width: 70 mm	VDE 0160	Connection cross sections: 0.08...2.5 mm ²
Transformer height: 92 mm		
Transformer depth: 48 mm		

Technical data:	
Measuring range:	0...300 A DC / AC I_{eff} , depends on varieties! (Nominal current ranges adjusted to standard values according to IEC)
Frequency range:	0...100 kHz, any signal curves
Current output at AC-input signal:	AC: 0...20 mA I_{eff} , (± 28.2843 mA I_{Peak})
Current output at DC-input signal:	DC: 0... ± 20 mA
Max. burden resistance at current output:	$R_B \leq 200 \Omega$ ($U_H = 24$ V DC)
Current limit under overload:	< 25 mA
Accuracy:	$\pm 0,5$ %
Max. operating voltage U_m :	0,72 kV, U_{eff}
Isolation test voltage:	6,4 kV, U_{eff} , 50 Hz, 5 sec., primary conductor against measuring output / housing
Auxiliary voltage:	± 12 V DC, $\pm 15\%$ < 70 mA, external protection via microfuse 100 mA / 250 V, fast!
Energia response time (90 % I_{PN} , di/dt = 100 A / μ s):	$\leq 1 \mu$ s (typ. 150 ns)
Signal rise velocity di/dt:	< 100 A / μ s
Isolation class	E
Protection class	IP 20
Max. temperature of the primary conductor:	100° C
Operating temperature:	-25° C < T_U < +60° C, 0...95% rH, without condensation
Storage temperature:	-40° C < T_L < +90° C

Gilgen, Müller & Weigert (GMW) GmbH & Co. KG

Am Farrnbach 4A · 90556 Cadolzburg
Germany

Phone: +49 9103 7129-0 · Fax: +49 9103 7129-207/-205
E-Mail: info@g-mw.de · Web: www.g-mw.de

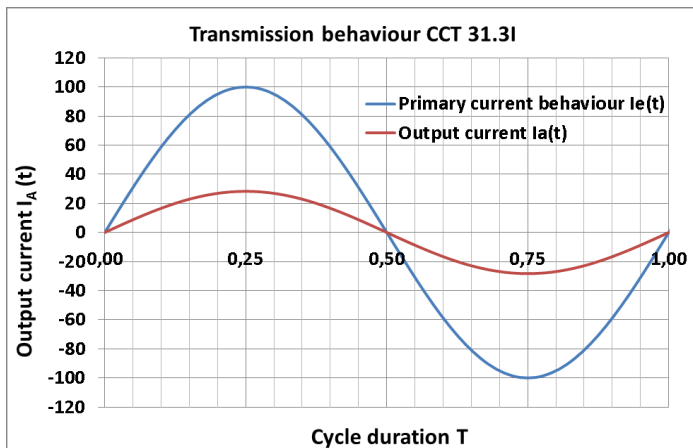
Functions of the CCT 31.3 I:

- Electricity is conducted over the magnetic field and is captured by the measuring core. The current induced in the measuring core is proportional to the magnetic flow and is captured by a semi-conductor element. An integrated electronic control unit converts the semi-control signal to a value of the measuring size in proportion to the DC output current signal.
- A contactless inductive captured parameter creates a galvanically separated output signal.
- Electrical contact with the secondary circuit of the current transformer is achieved by means of a 4-pole-spring-clamp. This clamp is suitable for connection to a flexible conductor up to 2.5 mm².
- A DC auxiliary voltage of ± 12 V is required to supply the electronic controls. The auxiliary voltage input must be secured by a HRC fuse size of 100 mA / 250 V microfuse.

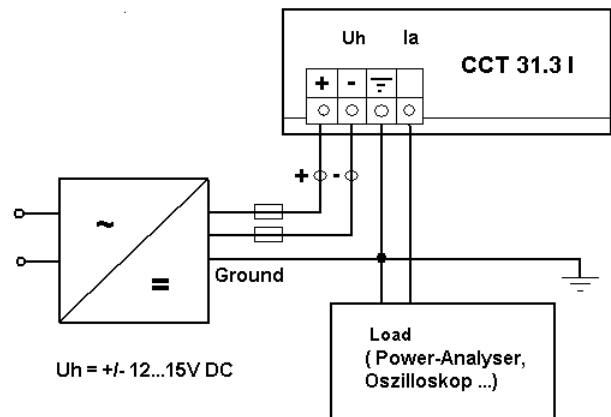
Advantages and benefits of the CCT 31.3 I:

- Measuring of direct current as well as alternating current with only one current transformer is possible.
- Large working frequency range from 0 Hz (DC)... 100 kHz (AC).
- High electric protection of the galvanically isolated capture of the measured variable.
- Low power-consumption (≤ 2.5 VA)
- Easy and safety electrical connection by means of spring clamp terminal.
- Direct mounting onto the bus bar by means of integrated fixing screws which are part of the unit.
- Mounting onto 35 mm DIN-rail by means of optional supply of snap-on mounting.
- High climatic and mechanical durability, PU-resin hardened enclosures of all electrical components.

Transfer ratio of the CCT 31.3 I:



Wiring Diagram of the CCT 31.3 I:



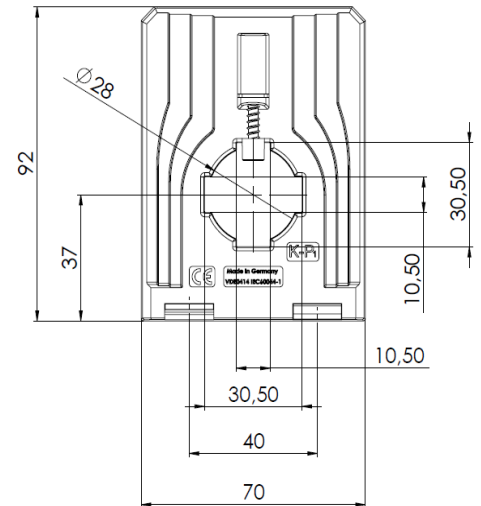
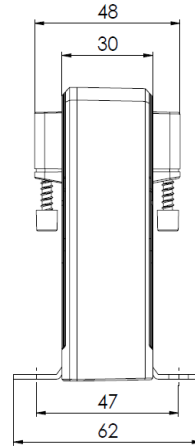
Order list:

Type	Primary current [A] DC / AC (I _{eff})	Art.-no.	Current output
CCT 31.3 I	50	1001101-10001	DC: 0...± 20mA AC: 0...20 mA I _{eff}
	100	1001101-10003	
	150	1001101-10005	
	200	1001101-10006	
	250	1001101-10007	
	300	1001101-10008	

CCT 31.3 U (Compensation current transformer, GMW All current sensors)

Current transformers for the measurement of direct and alternating currents

- For network analysis, monitoring,
- and measuring of non-sinusoidal and distorted networks



Additional accessories:
Snap-on mounting to clip onto
35 mm DIN rail (Art.-no. 53011)

Dimensions:	Applicable technical standards:	Electric connections:
Bus bar: 30x10 mm	DIN EN 50178, 1997	$U_H + 0$ (Ground) I_A
Round conductor: 28 mm	DIN EN 61010-1, 2002	Spring clamp terminal
Transformer width: 70 mm	VDE 0160	Connection cross sections: 0.08...2.5 mm ²
Transformer height: 92 mm		
Transformer depth: 48 mm		

Technical data:	
Measuring range:	0...300 A DC / AC I_{eff} , depends on varieties! (Nominal current ranges adjusted to standard values according to IEC)
Frequency range:	0...100 kHz, any signal curves
Voltage output, AC Input:	$2,5 \pm 1$ V, U_{eff} , AC; $2,5 \pm 1,414$ V (Peak-Peak)
Voltage output, DC Input:	$2,5 \pm 1$ V, DC
Min. burden resistance at current output:	$R_B \geq 100$ k Ω
Current limit under overload:	< 5 V
Accuracy:	$\pm 0,5$ %
Max. operating voltage U_m :	0,72 kV, U_{eff}
Isolation test voltage:	6,4 kV, U_{eff} , 50 Hz, 5 sec., primary conductor against measuring output / housing
Auxiliary voltage:	± 12 V DC, $\pm 15\%$ < 70 mA, external protection via microfuse 100 mA / 250 V, fast!
Energia response time (90 % I_{PN} , $di/dt = 100$ A / μ s):	≤ 1 μ s (typ. 150 ns)
Signal rise velocity di/dt :	< 100 A / μ s
Isolation class	E
Protection class	IP 20
Max. temperature of the primary conductor:	100° C
Operating temperature:	-25° C < T_U < +60° C, 0...95% rH, without condensation
Storage temperature:	-40° C < T_L < +90° C

Gilgen, Müller & Weigert (GMW) GmbH & Co. KG

Am Farrnbach 4A · 90556 Cadolzburg
Germany

Phone: +49 9103 7129-0 · Fax: +49 9103 7129-207/-205
E-Mail: info@g-mw.de · Web: www.g-mw.de

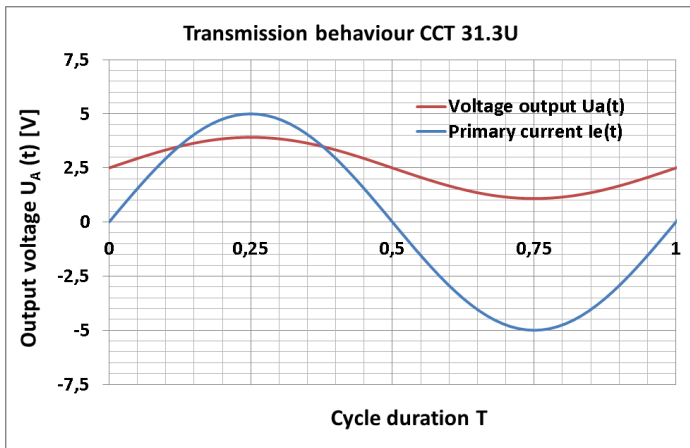
Functions of the CCT 31.3 U:

- Electricity is conducted over the magnetic field and is captured by the measuring core. The current induced in the measuring core is proportional to the magnetic flow and is captured by a semi-conductor element. An integrated electronic control unit converts the semi-control signal to a value of the measuring size in proportion to the DC output current signal.
- A contactless inductive captured parameter creates a galvanically separated output signal.
- Electrical contact with the secondary circuit of the current transformer is achieved by means of a 4-pole-spring-clamp. This clamp is suitable for connection to a flexible conductor up to 2.5 mm².
- A DC auxiliary voltage of ± 12 V is required to supply the electronic controls. The auxiliary voltage input must be secured by a HRC fuse size of 100 mA / 250 V microfuse.

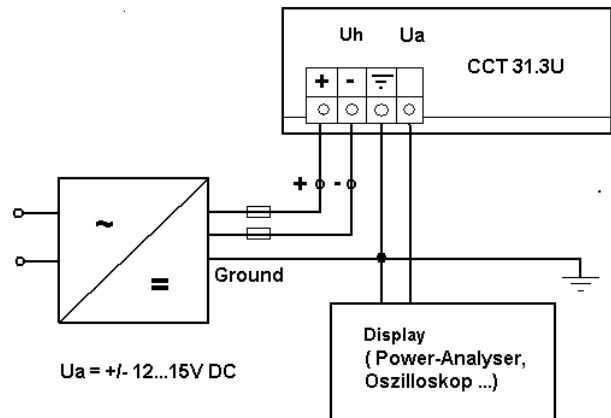
Advantages and benefits of the CCT 31.3 U:

- Measuring of direct current as well as alternating current with only one current transformer is possible.
- Large working frequency range from 0 Hz (DC)...100 kHz (AC).
- High electric protection of the galvanically isolated capture of the measured variable.
- Low power-consumption (≤ 2.5 VA)
- Easy and safety electrical connection by means of spring clamp terminal.
- Direct mounting onto the bus bar by means of integrated fixing screws which are part of the unit.
- Mounting onto 35 mm DIN-rail by means of optional supply of snap-on mounting.
- High climatic and mechanical durability, PU-resin hardened enclosures of all electrical components.

Transfer ratio of the CCT 31.3 U:



Wiring Diagram of the CCT 31.3 U:

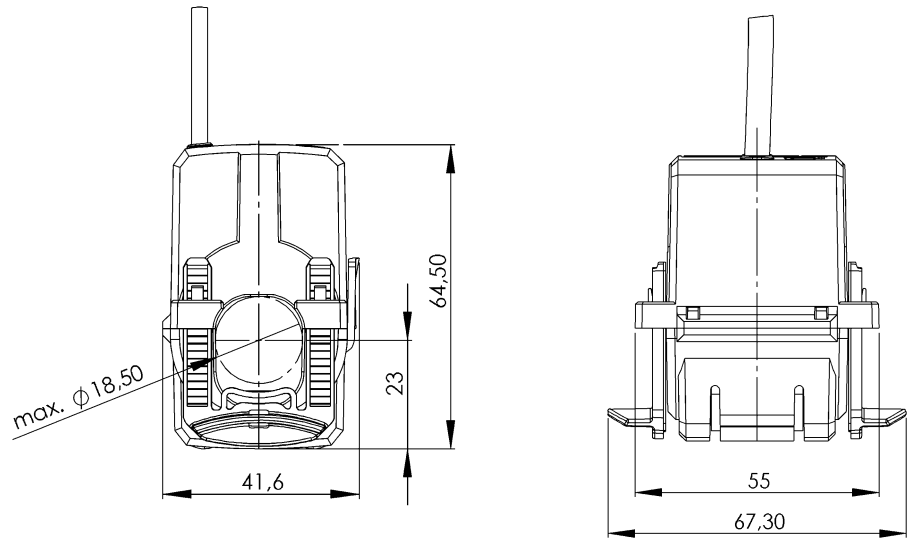


Order list:

Type	Primary current I_{eff} [A] DC / AC (I_{eff})	Art.-no.	Voltage output
CCT 31.3 U	50	1102-10001	DC: 2.5 ± 1 V AC: $2,5 \pm 1,414$ V (Peak-Peak)
	100	1102-10003	
	150	1102-10005	
	200	1102-10006	
	250	1102-10007	
	300	1102-10008	

KBR 18

Split-core current transformer



Dimensions:

Round conductor: 18 mm
 Transformer width: 41.6 mm
 Transformer height: 64.5 mm
 Transformer depth incl. fixing clasps: 67.3 mm

General technical specifications:

Thermal nominal continuous rated current I_{cth} : $1.2 \times I_N$
 Thermal nominal short-time current I_{th} : $60 \times I_N$, 1 Sek.
 Maximum operating voltage U_m : 0.72 kV
 Isolation test voltage: 3 kV, U_{eff} , 50 Hz, 1 min.
 Rated frequency: 50 Hz
 Isolation class: E
 Applicable technical standards: DIN EN 60044/1
 VDE 0414 Teil 1

Further information about our new split-core current transformer KBR 18:

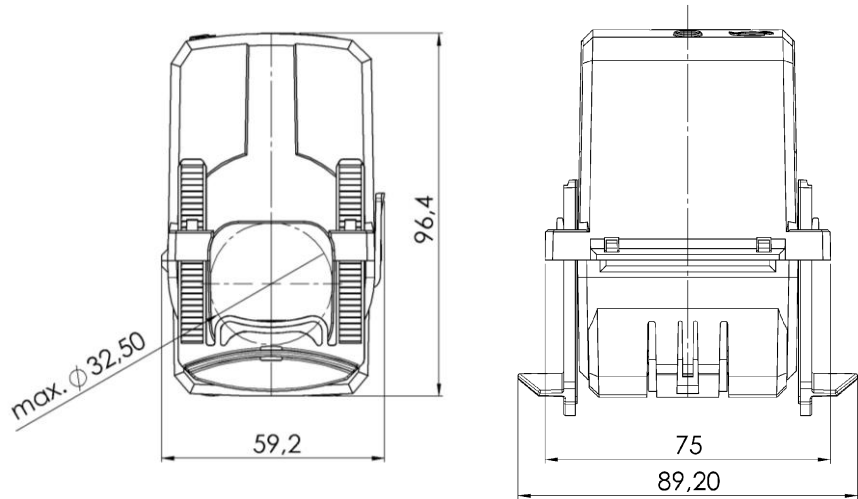
- Split-core current transformers are mainly used for an easy fitment and subsequent assembly into an already existing installation, without separating the primary conductor.
- The compact split-core current transformer KBR 18 has been developed to have easy access in already existing installations.
- Due to the „click“-system and the fixing-clasps even a one-hand mounting is possible.
- The delivery follows with 2.5 m connection cable $2 \times 0.75 \text{ mm}^2$ (color coded; S1 = brown; S2 = blue). Other lengths of the connection cables are possible on request.
- For the use as a current sensor the KBR 18 is optionally deliverable with a voltage output of 0 – 333 mV (Min. burden resistance $\geq 1 \text{ k}\Omega$).
- Operating temperature: $-5^\circ\text{C} < T < +50^\circ\text{C}$
- Storage temperature: $-25^\circ\text{C} < T < +70^\circ\text{C}$

Order list

Output		1 A AC		0...333 mV AC	
Primary current [A]	Burden [VA]	Accuracy class		Primary current [A]	Accuracy class
		3FS5	1FS5		1
		Art.-no.	Art.-no.		Art.-no.
50	1	10018-0001		50	10018-1001
75	1	10018-0006		75	10018-1006
100	1.25	10018-0011		100	10018-1011
125	1.5	10018-0016		125	10018-1016
150	2	10018-0021		150	10018-1021
200	1		10018-0027	200	100181026
	3	10018-0026			
250	1.5		10018-0032	250	10018-1031
	4	10018-0031			

KBR 32

Split-core current transformer



Dimensions:

Round conductor: 32.5 mm
 Transformer width: 59.2 mm
 Transformer height: 96.4 mm
 Transformer depth incl. fixing clasps: 89.2 mm

General technical specifications:

Thermal nominal continuous rated current I_{cth} : $1.2 \times I_N$
 Thermal nominal short-time current I_{th} : $60 \times I_N$, 1 Sek.
 Maximum operating voltage U_m : 0.72 kV
 Isolation test voltage: 3 kV, U_{eff} , 50 Hz, 1 min.
 Rated frequency: 50 Hz
 Isolation class: E
 Applicable technical standards: DIN EN 60044/1
 VDE 0414 Teil 1

Further information about our new split-core current transformer KBR 32:

- Split-core current transformers are mainly used for an easy fitment and subsequent assembly into an already existing installation, without separating the primary conductor.
- The compact split-core current transformer KBR 32 has been developed to have easy access in already existing installations.
- Due to the „click“-system and the fixing-clasps even a one-hand mounting is possible.
- The KBR 32 with secondary 1A will be delivered with 2.5 m connection cable $2 \times 0.75 \text{ mm}^2$ (color coded; S1 = brown; S2 = blue). Other lengths of the connection cables are possible on request. The secondary 5A – version will be delivered with 0.5m connection cable $2 \times 1.5 \text{ mm}^2$.
- For the use as a current sensor the KBR 32 is optionally deliverable with a voltage output of 0 – 333 mV (min. burden resistance $\geq 1 \text{ k}\Omega$).
 Moreover the KBR 32 is deliverable as a measuring transducer with a measuring output of 4...20 mA DC.
- Operating temperature: $-5^\circ\text{C} < T < +50^\circ\text{C}$
- Storage temperature: $-25^\circ\text{C} < T < +70^\circ\text{C}$

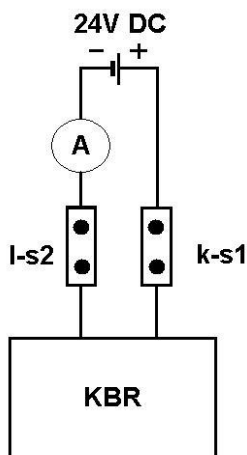
Order list

Secondary current		5A		1A		Output signal	0...333 mV AC	4...20 mA DC
Primary-current [A]	Burden [VA]	Accuracy class		Accuracy class		Primary-current [A]	Accuracy class	Accuracy class
		3FS5	1FS5	3FS5	1FS5		1	1
		Art.-no.	Art.-no.	Art.-no.	Art.-no.	Art.-no.		Art.-no.
100	1.5	10032-5011				100	10032-1011	10032-2011
	2.5			10032-0011				
125	2.5	10032-5016				125	10032-1016	32-2016
	3			10032-0016				
150	3	10032-5021		10032-0021		150	10032-1021	32-2021
200	3	10032-5026				200	10032-1026	32-2026
	5			10032-0026				
250	3	10032-5031				250	10032-1031	32-2031
	5			10032-0031				
300	2.5		10032-5035			300	10032-1034	32-2034
	5				10032-0035			
400	5		10032-5037		10032-0037	400	10032-1036	10032-2036
500	5		10032-5039		10032-0039	500	10032-1038	10032-2038
600	5		10032-5041		10032-0041	600	10032-1040	10032-2040

Technical characteristics for the KBR with output signal 4...20 mA:

- 2-wire connection, auxiliary power via output circuit
- Auxiliary power: 24 V DC \pm 15 %, $P_V = \text{max. } 1 \text{ VA}$
- Load-independent DC current: Live-zero, 4...20 mA
- External resistance: max. 300 Ω
- Current limit under overload: < 30 mA
- Residual ripple of the output current: $\leq 1 \%$ p.p.
- Response time: < 300 ms

Wiring diagram of the KBR 32 (4...20 mA):



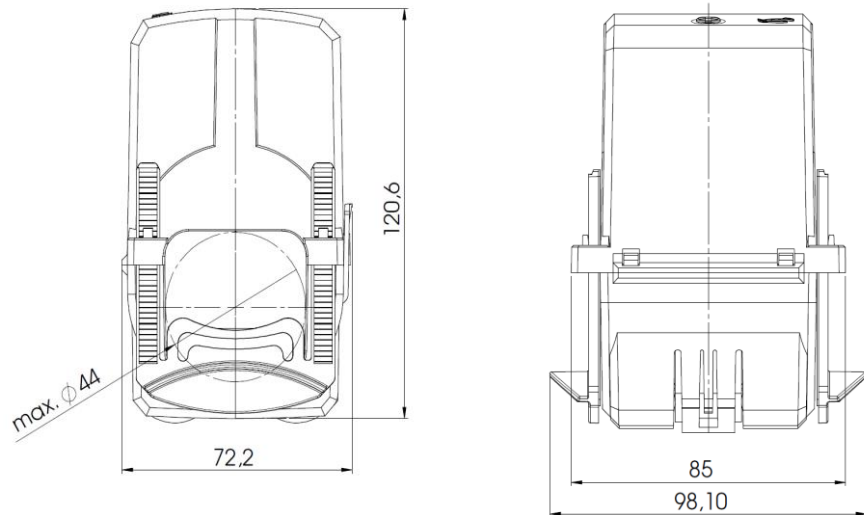
Gilgen, Müller & Weigert (GMW) GmbH & Co. KG

Am Farrnbach 4A · 90556 Cadolzburg
Germany

Phone: +49 9103 7129-0 · Fax: +49 9103 7129-207/-205
E-Mail: info@g-mw.de · Web: www.g-mw.de

KBR 44

Split-core current transformer



Dimensions:

Round conductor: 44 mm
 Transformer width: 72.2 mm
 Transformer height: 120.6 mm
 Transformer depth incl. fixing clasps: 98.1 mm

General technical specifications:

Thermal nominal continuous rated current I_{cth} : $1.2 \times I_N$
 Thermal nominal short-time current I_{th} : $60 \times I_N$, 1 sec.
 Maximum operating voltage U_m : 0.72 kV
 Isolation test voltage: 3 kV, U_{eff} , 50 Hz, 1 min.
 Rated frequency: 50 Hz
 Isolation class: E
 Applicable technical standards: DIN EN 60044/1
 VDE 0414 Teil 1

Further information about our new split-core current transformer KBR 44:

- Split-core current transformers are mainly used for an easy fitment and subsequent assembly into an already existing installation, without separating the primary conductor.
- The compact split-core current transformer KBR 44 has been developed to have easy access in already existing installations.
- Due to the „click“-system and the fixing-clasps even a one-hand mounting is possible.
- The KBR 44 with secondary 1A will be delivered with 2.5 m connection cable $2 \times 0.75 \text{ mm}^2$ (color coded; S1 = brown; S2 = blue). Other lengths of the connection cables are possible on request. The secondary 5A – version will be delivered with 0.5m connection cable $2 \times 1.5 \text{ mm}^2$.
- For the use as a current sensor the KBR 44 is optionally deliverable with a voltage output of 0 – 333 mV (min. burden resistance $\geq 1 \text{ k}\Omega$).
 Moreover the KBR 44 is deliverable as a measuring transducer with a measuring output of 4...20 mA DC.
- Operating temperature: $-5^\circ\text{C} < T < +50^\circ\text{C}$
- Storage temperature: $-25^\circ\text{C} < T < +70^\circ\text{C}$

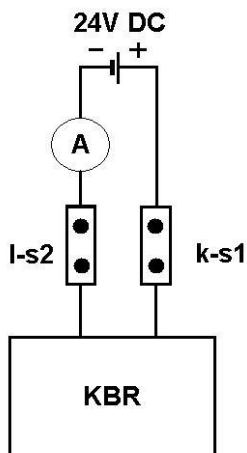
Order list

Secondary current		5A	1A	Output signal	0...333 mV AC	4...20 mA DC
Primary current [A]	Burden [VA]	Accuracy class	Accuracy class	Primary current [A]	Accuracy class	Accuracy class
		1FS5	1FS5		1	1
		Best.-Nr.	Best.-Nr.			Best.-Nr.
250	1.5	10044-5001		250	10044-1001	10044-2001
	2.5		10044-0001			
300	2.5	10044-5006	10044-0006	300	10044-1006	10044-2006
400	5	10044-5011	10044-0011	400	10044-1011	10044-2011
500	5	10044-5016	10044-0016	500	10044-1016	10044-2016
600	5	10044-5021	10044-0021	600	10044-1021	10044-2021
750	5	10044-5026	10044-0026	750	10044-1026	10044-2026
800	5	10044-5031	10044-0031	800	10044-1031	10044-2031
1000	5	10044-5036	10044-0036	1000	10044-1036	10044-2036

Technical characteristics for the KBR with output signal 4...20 mA:

- 2-wire connection, auxiliary power via output circuit
- Auxiliary power: 24 V DC \pm 15 %, $P_V = \text{max. } 1 \text{ VA}$
- Load-independent DC current: Live-zero, 4...20 mA
- External resistance: max. 300 Ω
- Current limit under overload: < 30 mA
- Residual ripple of the output current: $\leq 1 \%$ p.p.
- Response time: < 300 ms

Wiring diagram of the KBR 44 (4...20 mA):



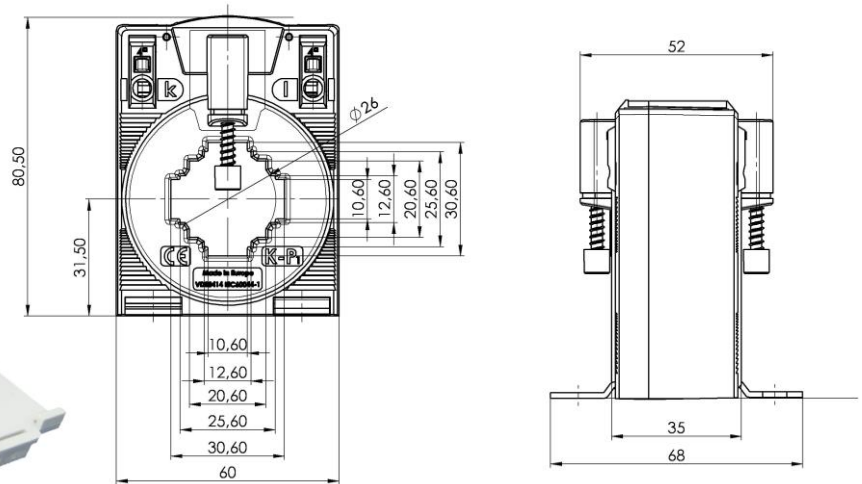
Gilgen, Müller & Weigert (GMW) GmbH & Co. KG

Am Farrnbach 4A · 90556 Cadolzburg
Germany

Phone: +49 9103 7129-0 · Fax: +49 9103 7129-207/-205
E-Mail: info@g-mw.de · Web: www.g-mw.de

CTB 31.35

Plug-in current transformer



Dimensions:

Bus bar 1: 30 x 10 mm
 Bus bar 2: 25 x 12 mm
 Bus bar 3: 20 x 20 mm
 Round conductor: 26 mm
 Transformer width: 60 mm
 Transformer height: 80.5 mm
 Total depth: 52 mm

General technical specifications:

Thermal nominal continuous rated current I_{cth} : 1.2 x I_N
 Thermal nominal short-time current I_{th} : 60 x I_N , 1 sec.
 Maximum operating voltage U_m : 1.2 kV, U_{eff}
 Isolation test voltage: 6 kV, U_{eff} , 50 Hz, 1 Min.
 Rated frequency: 50 / 60 Hz
 Isolation class: E
 Applicable technical standards: DIN EN 60044/1
 VDE 0414 Teil 1

Further information:

- World's first CT with screwless connection technology for the secondary caps – „Cage Clamp®“
- **UL certification.** Certificate no.: 20100426-E336996
- Innovative time-saving connection of either solid or flexible terminals not exceeding 4 mm² to be fitted either on the top or bottom or in the center without ferrules.
- Vibration and shock resistant
- Maintenance free gas-tight connection
- High current carrying capacity
- High mechanical enclosure strength
- Low voltage CT for maximum operating voltage to 1.2 kV. Use in 690 V networks possible
- Primary nominal current ranges from 50 A up to 750 A
- Accuracy classes 3, 1 and 0.5
- Overload operation limit up to 120 % of the primary rated current
- Over-current limiting factor: See rating plate
- Operating temperature in the range -5°C to 50°C
- Storage temperature in the range -25°C to 70°C
- Unbreakable plastic housing of grey polycarbonate, self-extinguishing, UL94-V0 and flame resistant
- Packaging unit: 1 pc.
- Customs tariff number: 85043129

Gilgen, Müller & Weigert (GMW) GmbH & Co. KG

Am Farrnbach 4A · 90556 Cadolzburg
Germany

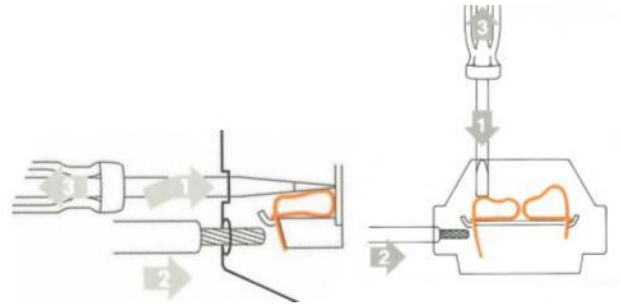
Phone: +49 9103 7129-0 · Fax: +49 9103 7129-207/-205
E-Mail: info@g-mw.de · Web: www.g-mw.de

CTB 31.35

Plug-in current transformer



Screwless connection technology
„Cage Clamp®“ (In front or on top)



Order list

Secondary current		5A			1A		
Primary current [A]	Burden [VA]	Accuracy class			Accuracy class		
		3	1	0.5	3	1	0.5
		Art.-no.	Art.-no.	Art.-no.	Art.-no.	Art.-no.	Art.-no.
50	1.25	10050-0001			10050-0021		
60	1.25		10050-0017			10050-0037	
75	2.5		10050-0018			10050-0038	
80	2.5		10050-0019			10050-0039	
100	2.5		10050-0002			10050-0022	
125	1.5			10050-2001			10050-2021
	2.5		10050-0003			10050-0023	
150	2.5			10050-2002			10050-2022
	5		10050-0004			10050-0024	
200	2.5			10050-2003			10050-2023
	5		10050-0005			10050-0025	
250	5		10050-0006	10050-2004		10050-0026	10050-2024
300	5		10050-0007	10050-2005		10050-0027	10050-2025
	10		10050-0008			10050-0028	
400	5		10050-0009	10050-2006		10050-0029	10050-2026
	10		10050-0010	10050-2007		10050-0030	10050-2027
500	5		10050-0011	10050-2008		10050-0031	10050-2028
	10		10050-0012	10050-2009		10050-0032	10050-2029
600	5		10050-0013	10050-2010		10050-0033	10050-2030
	10		10050-0014	10050-2011		10050-0034	10050-2031
750	5		10050-0015	10050-2012		10050-0035	10050-2032
	10		10050-0016	10050-2013		10050-0036	10050-2033

Accessories

Quick-Fix (Art.-no.: 10055021)



Sealed shutter (Art.-no.: 10059057)



Snap-on mounting to clip the current transformer onto 35 mm DIN rail (Art.-no. 10055015)



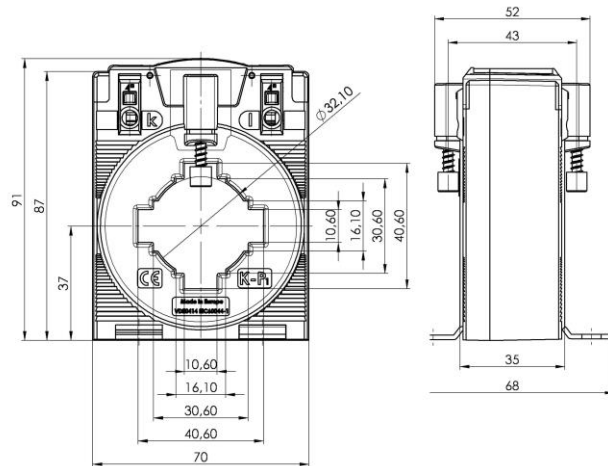
Gilgen, Müller & Weigert (GMW) GmbH & Co. KG

Am Farrnbach 4A · 90556 Cadolzburg
Germany

Phone: +49 9103 7129-0 · Fax: +49 9103 7129-207/-205
E-Mail: info@g-mw.de · Web: www.g-mw.de

CTB 41.35

Plug-in current transformer



Dimensions:

Primary conductor 1: 40 x 10 mm
 Primary conductor 2: 30 x 15 mm
 Round conductor: 32 mm
 Transformer width: 70 mm
 Transformer height: 91 mm
 Total depth: 52 mm

General technical specifications:

Thermal nominal continuous rated current I_{cth} : $1.2 \times I_N$
 Thermal nominal short-time current I_{th} : $60 \times I_N$, 1 sec.
 Maximum operating voltage U_m : 1.2 kV, U_{eff}
 Isolation test voltage: 6 kV, U_{eff} , 50 Hz, 1 Min.
 Rated frequency: 50 / 60 Hz
 Isolation class: E
 Applicable technical standards: DIN EN 60044/1
 VDE 0414 Teil 1

Further information:

- World's first CT with screwless connection technology for the secondary caps – „Cage Clamp®“
- **UL certification.** Certificate no.: 20100426-E336996
- Innovative time-saving connection of either solid or flexible terminals not exceeding 4 mm² to be fitted either the top or bottom or in the center without ferrules
- Vibration and shock resistant
- Maintenance free gas-tight connection
- High current carrying capacity
- High mechanical enclosure strength
- Low voltage CT for maximum operating voltage up to 1.2 kV. Application up to 690 V possible
- Primary nominal current ranges from 75 A up to 1000 A
- Accuracy classes 3, 1 and 0.5
- Capable of being constantly overloaded to 120 % of the primary rated current
- Over-current limiting factor: See rating plate
- Operating temperature in the range -5°C to 50°C
- Storage temperature in the range -25°C to 70°C
- Unbreakable plastic housing of grey polycarbonate, self-extinguishing, UL94-V0 and flame resistant
- Packaging unit: 1 pc.
- Customs tariff number: 85043129

Gilgen, Müller & Weigert (GMW) GmbH & Co. KG

Am Farrnbach 4A · 90556 Cadolzburg
 Germany

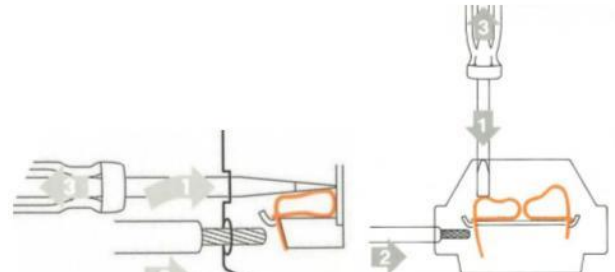
Phone: +49 9103 7129-0 · Fax: +49 9103 7129-207/-205
 E-Mail: info@g-mw.de · Web: www.g-mw.de

CTB 41.35

Plug-in current transformer



Screwless connection technology
„Cage Clamp®“ (In front or on top)



Order list

Secondary current		5A			1A		
Primary current [A]	Burden [VA]	Accuracy class			Accuracy class		
		3	1	0,5	3	1	0,5
		Art.-no.	Art.-no.	Art.-no.	Art.-no.	Art.-no.	Art.-no.
75	1,25	10050-0050			10050-0070		
80	1,25	10050-0051			10050-0071		
100	2,5	10050-0052			10050-0072		
125	2,5		10050-0053			10050-0073	
150	2,5		10050-0054			10050-0074	
200	1,5			10050-2050			10050-2070
	5		10050-0055			10050-0075	
250	2,5			10050-2051			10050-2071
	5		10050-0056			10050-0076	
300	2,5			10050-2052			10050-2072
	5		10050-0057			10050-0077	
400	5		10050-0058	10050-2053		10050-0078	10050-2073
500	5		10050-0059	10050-2054		10050-0079	10050-2074
	10		10050-0060			10050-0080	10050-2075
600	5		10050-0061	10050-2055		10050-0081	10050-2076
	10		10050-0062	10050-2056		10050-0082	10050-2077
750	5		10050-0063	10050-2057		10050-0083	10050-2078
	10		10050-0064	10050-2058		10050-0084	
800	5		10050-0065	10050-2059		10050-0085	10050-2079
	10		10050-0066	10050-2060		10050-0086	10050-2080
1000	5		10050-0067	10050-2061		10050-0087	10050-2081
	10		10050-0068	10050-2062		10050-0088	10050-2082

Accessories

Quick-Fix (Art.-no.: 10055021)



Sealed shutter (Art.-no.: 10059057)



Snap-on mounting to clip the current transformer onto 35 mm DIN rail (Art.-no. 10055015)



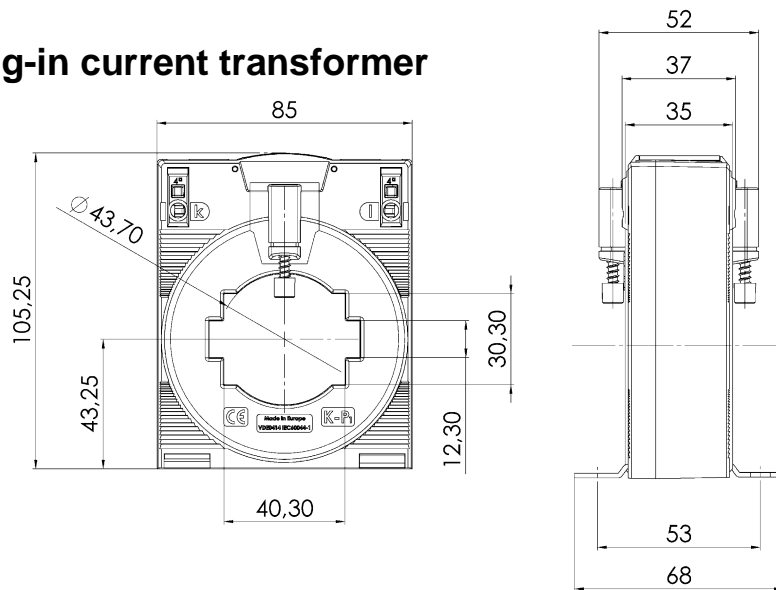
Gilgen, Müller & Weigert (GMW) GmbH & Co. KG

Am Farrnbach 4A · 90556 Cadolzburg
Germany

Phone: +49 9103 7129-0 · Fax: +49 9103 7129-207/-205
E-Mail: info@g-mw.de · Web: www.g-mw.de

CTB 51.35

Plug-in current transformer



Dimensions:

Primary conductor 1: 50 x 12 mm
 Primary conductor 2: 40 x 30 mm
 Round conductor: 44 mm
 Transformer width: 85 mm
 Transformer height: 105.25 mm
 Total depth: 52 mm

General technical specifications:

Thermal nominal continuous rated current I_{cth} : $1.2 \times I_N$
 Thermal nominal short-time current I_{th} : $60 \times I_N$, 1 sec.
 Maximum operating voltage U_m : 1.2 kV, U_{eff}
 Isolation test voltage: 6 kV, U_{eff} , 50 Hz, 1 Min.
 Rated frequency: 50 / 60 Hz
 Isolation class: E
 Applicable technical standards: DIN EN 60044/1
 VDE 0414 Teil 11

Further information:

- World's first CT with screwless connection technology for the secondary caps – „Cage Clamp®“
- **UL certification.** Certificate no.: 20100426-E336996
- Innovative time-saving connection of either solid or flexible terminals not exceeding 4 mm² to be fitted either the top or bottom or in the center without ferrules.
- Vibration and shock resistant
- Maintenance free gas-tight connection
- High current carrying capacity
- High mechanical enclosure strength
- Low voltage CT for maximum operating voltage to 1.2 kV. Use in 690 V networks possible
- Primary nominal current ranges from 100 A up to 1250 A
- Accuracy class 1 and 0.5
- Overload operation limit up to 120 % of the primary rated current
- Over-current limiting factor: See rating plate
- Operating temperature in the range -5°C to 50°C
- Storage temperature in the range -25°C to 70°C
- Unbreakable plastic housing of grey polycarbonate, self-extinguishing, UL94-V0 and flame resistant
- Packaging unit: 1 pc.
- Customs tariff number: 85043129

Gilgen, Müller & Weigert (GMW) GmbH & Co. KG

Am Farrnbach 4A · 90556 Cadolzburg
 Germany

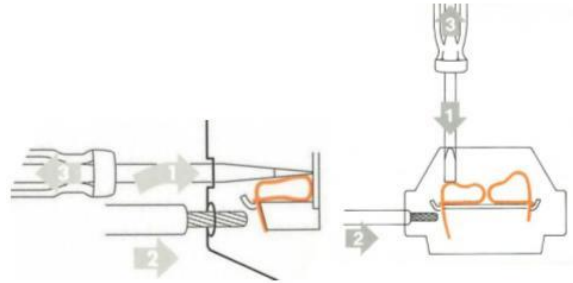
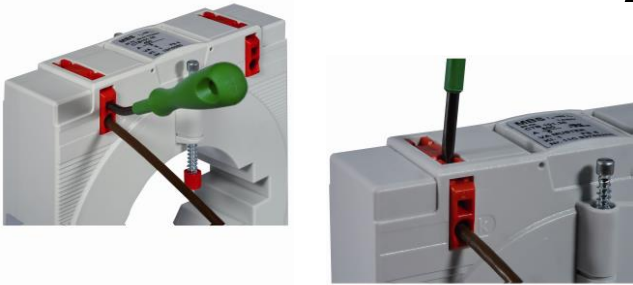
Phone: +49 9103 7129-0 · Fax: +49 9103 7129-207/-205
 E-Mail: info@g-mw.de · Web: www.g-mw.de

CTB 51.35

Plug-in current transformer



Screwless connection technology
„Cage Clamp®“ (In front or on top)



Order list

Secondary current		5A		1A	
Primary current [A]	Burden [VA]	Accuracy class		Accuracy class	
		1	0,5	1	0,5
		Art.-no.	Art.-no.	Art.-no.	Art.-no.
100	1,25	10050-0100		10050-0120	
125	2,5	10050-0101		10050-0121	
150	2,5	10050-0102		10050-0122	
200	1,5		10050-2100		10050-2120
	5	10050-0103		10050-0123	
250	2,5		10050-2101		10050-2121
	5	10050-0104		10050-0124	
300	2,5		10050-2102		10050-2122
	5	10050-0105		10050-0125	
400	5	10050-0106	10050-2103	10050-0126	10050-2123
	10	10050-0107		10050-0127	
500	5	10050-0108	10050-2104	10050-0128	10050-2124
	10	10050-0109	10050-2105	10050-0129	10050-2125
600	5	10050-0110	10050-2106	10050-0130	10050-2126
	10	10050-0111	10050-2107	10050-0131	10050-2127
750	5	10050-0112	10050-2108	10050-0132	10050-2128
	10	10050-0113	10050-2109	10050-0133	10050-2129
800	5	10050-0114	10050-2110	10050-0134	10050-2130
	10	10050-0115	10050-2111	10050-0135	10050-2131
1000	5	10050-0116	10050-2112	10050-0136	10050-2132
	10	10050-0117	10050-2113	10050-0137	10050-2133
1200	5	10050-0291	10050-2114	10050-0293	10050-2134
	10	10050-0292	10050-2115	10050-0294	10050-2135
1250	5	10050-0118	10050-2116	10050-0138	10050-2136
	10	10050-0119	10050-2117	10050-0139	10050-2137

Accessories

Quick-Fix (Art.-no.: 10055021)



Sealed shutter (Art.-no.: 10059058)



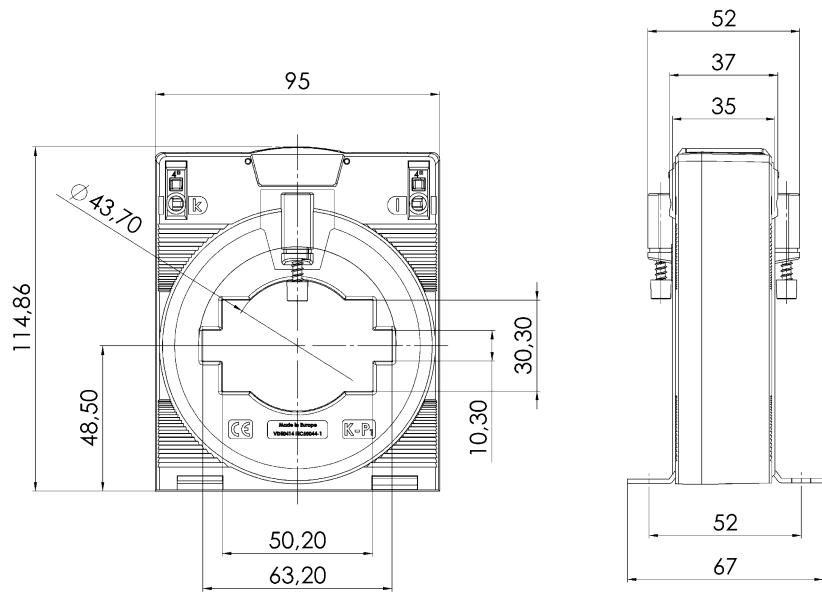
Gilgen, Müller & Weigert (GMW) GmbH & Co. KG

Am Farrnbach 4A · 90556 Cadolzburg
Germany

Phone: +49 9103 7129-0 · Fax: +49 9103 7129-207/-205
E-Mail: info@g-mw.de · Web: www.g-mw.de

CTB 61.35

Plug-in current transformer



Dimensions:

Primary conductor 1: 63 x 10 mm
 Primary conductor 2: 50 x 30 mm
 Round conductor: 44 mm
 Transformer width: 95 mm
 Transformer height: 115 mm
 Total depth: 52 mm

General technical specifications:

Thermal nominal continuous rated current I_{cth} : $1.2 \times I_N$
 Thermal nominal short-time current I_{th} : $60 \times I_N$, 1 sec.
 Maximum operating voltage U_m : 1.2 kV, U_{eff}
 Isolation test voltage: 6 kV, U_{eff} , 50 Hz, 1 Min.
 Rated frequency: 50 Hz
 Isolation class: E
 Applicable technical standards: DIN EN 60044/1
 VDE 0414 Teil 1

Further information:

- World's first CT with screwless connection technology for the secondary caps – „Cage Clamp®“
- **UL certification.** Certificate no.: 20100426-E336996
- Innovative time-saving connection of either solid or flexible terminals not exceeding 4 mm² to be fitted either on the top or bottom or in the center without ferrules.
- Vibration and shock resistant
- Maintenance free gas-tight connection
- High current carrying capacity
- High mechanical enclosure strength
- Low voltage CT for maximum operating voltage to 1.2 kV. Use in 690 V networks possible
- Primary nominal current ranges from 200 A up to 1600 A
- Accuracy class 1 and 0.5
- Overload operation limit up to 120 % of the primary rated current
- Over-current limiting factor: See rating plate
- Operating temperature in the range -5°C to 50°C
- Storage temperature in the range -25°C to 70°C
- Unbreakable plastic housing of grey polycarbonate. Self-extinguishing, UL94-V0 and flame resistant
- Packaging unit: 1 pc.
- Customs tariff number: 85043129

Gilgen, Müller & Weigert (GMW) GmbH & Co. KG

Am Farrnbach 4A · 90556 Cadolzburg
 Germany

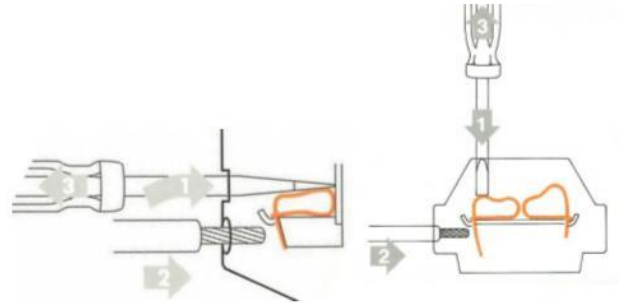
Phone: +49 9103 7129-0 · Fax: +49 9103 7129-207/-205
 E-Mail: info@g-mw.de · Web: www.g-mw.de

CTB 61.35

Plug-in current transformer



Screwless connection technology
„Cage Clamp®“ (In front or on top)



Order list

Secondary current		5A		1A	
Primary current [A]	Burden [VA]	Accuracy class		Accuracy class	
		1	0,5	1	0,5
		Art.-no.	Art.-no.	Art.-no.	Art.-no.
200	2,5	10050-0150	10050-2150	10050-0170	10050-2170
250	2,5		10050-2151		10050-2171
	5	10050-0151		10050-0171	
300	5	10050-0152	10050-2152	10050-0172	10050-2172
400	5	10050-0153	10050-2153	10050-0173	10050-2173
500	5	10050-0154	10050-2154	10050-0174	10050-2174
600	5	10050-0155	10050-2155	10050-0175	10050-2175
750	5	10050-0156	10050-2156	10050-0176	10050-2176
	10	10050-0157	10050-2157	10050-0177	10050-2177
800	5	10050-0158	10050-2158	10050-0178	10050-2178
	10	10050-0159	10050-2159	10050-0179	10050-2179
1000	5	10050-0160	10050-2160	10050-0180	10050-2180
	10	10050-0161	10050-2161	10050-0181	10050-2181
1200	5	10050-0287	10050-2162	10050-0289	10050-2182
	10	10050-0288	10050-2163	10050-0290	10050-2183
1250	5	10050-0162	10050-2164	10050-0182	10050-2184
	10	10050-0163	10050-2165	10050-0183	10050-2185
1500	5	10050-0164	10050-2166	10050-0184	10050-2186
	10	10050-0165	10050-2167	10050-0185	10050-2187
1600	5	10050-0166	10050-2168	10050-0186	10050-2188
	10	10050-0167	10050-2169	10050-0187	10050-2189

Accessories

Quick-Fix (Art.-no.: 10055021)



Sealed shutter (Art.-no.: 10059059)



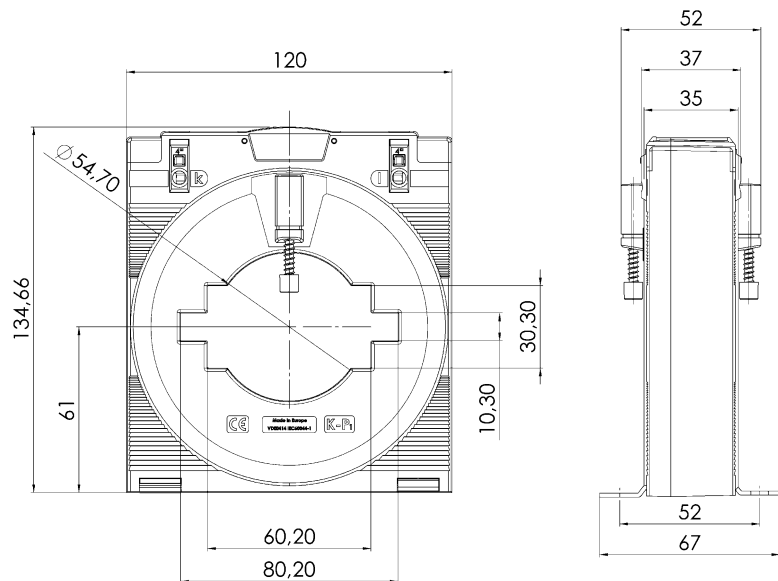
Gilgen, Müller & Weigert (GMW) GmbH & Co. KG

Am Farrnbach 4A · 90556 Cadolzburg
Germany

Phone: +49 9103 7129-0 · Fax: +49 9103 7129-207/-205
E-Mail: info@g-mw.de · Web: www.g-mw.de

CTB 81.35

Plug-in current transformer



Dimensions:

Primary conductor 1: 80 x 10 mm
 Primary conductor 2: 60 x 30 mm
 Round conductor: 55 mm
 Transformer width: 120 mm
 Transformer height: 135 mm
 Total depth: 52 mm

General technical specifications:

Thermal nominal continuous rated current I_{cth} : $1.2 \times I_N$
 Thermal nominal short-time current I_{th} : $60 \times I_N$, 1 sec.
 Maximum operating voltage U_m : 1.2 kV, U_{eff}
 Isolation test voltage: 6 kV, U_{eff} , 50 Hz, 1 Min.
 Rated frequency: 50 Hz
 Isolation class: E
 Applicable technical standards: DIN EN 60044/1
 VDE 0414 Teil 1

Further information:

- World's first CT with screwless connection technology for the secondary caps – „Cage Clamp®“
- **UL certification.** Certificate no.: 20100426-E336996
- Innovative time-saving connection of either solid or flexible terminals not exceeding 4 mm² to be fitted either on the top or bottom or in the center without ferrules.
- Vibration and shock resistant
- Maintenance free gas-tight connection
- High current carrying capacity
- High mechanical enclosure strength
- Low voltage CT for maximum operating voltage to 1.2 kV. Use in 690 V networks possible
- Primary nominal current ranges from 400 A up to 2000 A
- Accuracy class 1 and 0.5
- Overload operation limit up to 120 % of the primary rated current
- Over-current limiting factor: See rating plate
- Operating temperature in the range -5°C to 50°C
- Storage temperature in the range -25°C to 70°C
- Unbreakable plastic housing of grey polycarbonate. Self-extinguishing, UL94-V0 and flame resistant
- Packaging unit: 1 pc.
- Customs tariff number: 85043129

Gilgen, Müller & Weigert (GMW) GmbH & Co. KG

Am Farrnbach 4A · 90556 Cadolzburg
 Germany

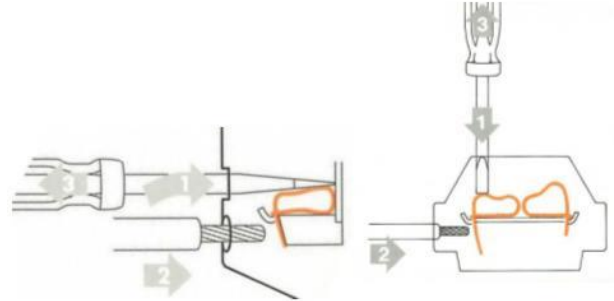
Phone: +49 9103 7129-0 · Fax: +49 9103 7129-207/-205
 E-Mail: info@g-mw.de · Web: www.g-mw.de

CTB 81.35

Plug-in current transformer



Screwless connection technology
„Cage Clamp®“ (In front or on top)



Order list

Secondary current		5A		1A	
Primary current [A]	Burden [VA]	Accuracy class		Accuracy class	
		1	0,5	1	0,5
		Art.-no.	Art.-no.	Art.-no.	Art.-no.
400	2,5		10050-2190		10050-2210
	5	10050-0190		10050-0210	
500	2,5		10050-2191		
	5	10050-0191		10050-0211	10050-2211
600	5	10050-0192	10050-2192	10050-0212	10050-2212
750	5	10050-0193	10050-2193	10050-0213	10050-2213
	10	10050-0194	10050-2194	10050-0214	10050-2214
800	5	10050-0195	10050-2195	10050-0215	10050-2215
	10	10050-0196	10050-2196	10050-0216	10050-2216
1000	5	10050-0197	10050-2197	10050-0217	10050-2217
	10	10050-0198	10050-2198	10050-0218	10050-2218
1200	5	10050-0283	10050-2199	10050-0285	10050-2219
	10	10050-0284	10050-2200	10050-0286	10050-2220
1250	5	10050-0199	10050-2201	10050-0219	10050-2221
	10	10050-0200	10050-2202	10050-0220	10050-2222
1500	5	10050-0201	10050-2203	10050-0221	10050-2223
	10	10050-0202	10050-2204	10050-0222	10050-2224
1600	5	10050-0203	10050-2205	10050-0223	10050-2225
	10	10050-0204	10050-2206	10050-0224	10050-2226
2000	10	10050-0205	10050-2207	10050-0225	10050-2227
	15	10050-0206	10050-2208	10050-0226	10050-2228

Accessories

Quick-Fix (Art.-no.: 10055021)



Sealed shutter
(Art.-no.: 10059059)



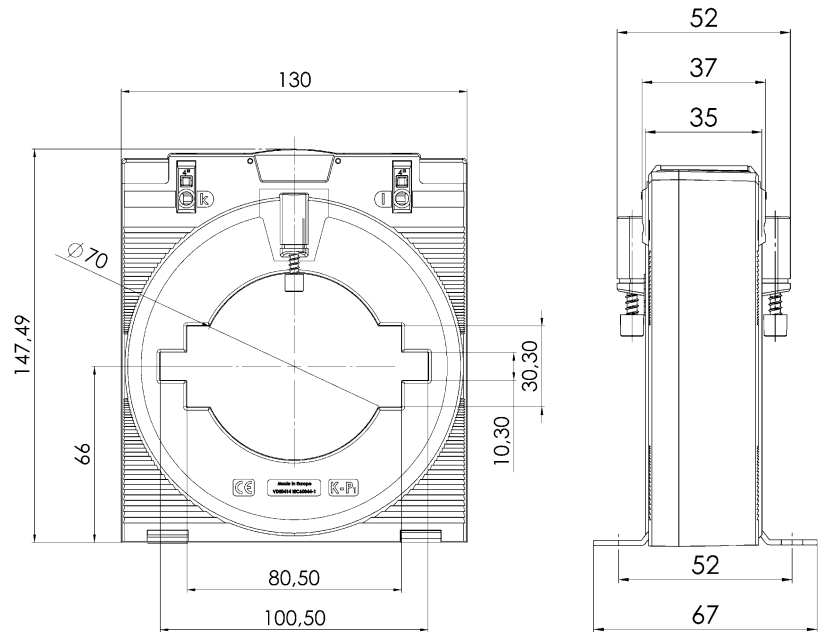
Gilgen, Müller & Weigert (GMW) GmbH & Co. KG

Am Farrnbach 4A · 90556 Cadolzburg
Germany

Phone: +49 9103 7129-0 · Fax: +49 9103 7129-207/-205
E-Mail: info@g-mw.de · Web: www.g-mw.de

CTB 101.35

Plug-in current transformer



Dimensions:

Primary conductor 1: 100 x 10 mm
 Primary conductor 2: 80 x 30 mm
 Round conductor: 70 mm
 Transformer width: 130 mm
 Transformer height: 147 mm
 Total depth: 52 mm

General technical specifications:

Thermal nominal continuous rated current I_{cth} : $1.2 \times I_N$
 Thermal nominal short-time current I_{th} : $60 \times I_N$, 1 sec.
 Maximum operating voltage U_m : 1.2 kV, U_{eff}
 Isolation test voltage: 6 kV, U_{eff} , 50 Hz, 1 Min.
 Rated frequency: 50 Hz
 Isolation class: E
 Applicable technical standards: DIN EN 60044/1
 VDE 0414 Teil 1

Further information:

- World's first CT with screwless connection technology for the secondary caps – „Cage Clamp®“
- **UL certification.** Certificate no.: 20100426-E336996
- Innovative time-saving connection of either solid or flexible terminals not exceeding 4 mm² to be fitted either on the top or bottom or in the center without ferrules.
- Vibration and shock resistant
- Maintenance free gas-tight connection
- High current carrying capacity
- High mechanical holding forces
- Low voltage CT for maximum operating voltage to 1.2 kV. Use in 690 V networks possible
- Primary nominal current ranges from 400 A to 2500 A
- Accuracy class 1 and 0.5
- Overload operation limit up to 120 % of the primary rated current
- Over-current limiting factor: See rating plate
- Operating temperature in the range -5°C to 50°C
- Storage temperature in the range -25°C to 70°C
- Unbreakable plastic housing of grey polycarbonate. Self-extinguishing, UL94-V0 and flame resistant
- Packaging unit: 1 pc.
- Customs tariff number: 85043129

Gilgen, Müller & Weigert (GMW) GmbH & Co. KG

Am Farrnbach 4A · 90556 Cadolzburg
 Germany

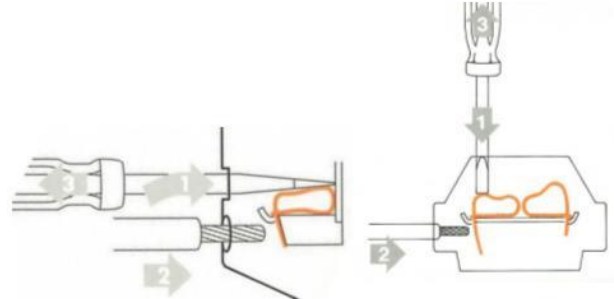
Phone: +49 9103 7129-0 · Fax: +49 9103 7129-207/-205
 E-Mail: info@g-mw.de · Web: www.g-mw.de

CTB 101.35

Plug-in current transformer



Screwless connection technology
„Cage Clamp®“ (In front or on top)



Order list

Secondary current		5A		1A	
Primary current [A]	Burden [VA]	Accuracy class		Accuracy class	
		1	0,5	1	0,5
		Art.-no.	Art.-no.	Art.-no.	Art.-no.
400	2,5		10050-2230		10050-2260
	5	10050-0230		10050-0260	
500	5	10050-0231	10050-2231	10050-0261	10050-2261
	10		10050-2232		10050-2262
600	5			10050-0262	
	10	10050-0232			
750	5	10050-0233	10050-2233	10050-0263	10050-2263
	10	10050-0234	10050-2234	10050-0264	10050-2264
800	5	10050-0235	10050-2235	10050-0265	10050-2265
	10	10050-0236	10050-2236	10050-0266	10050-2266
1000	5	10050-0237	10050-2237	10050-0267	10050-2267
	10	10050-0238	10050-2238	10050-0268	10050-2268
1200	5	10050-0279	10050-2239	10050-0281	10050-2269
	10	10050-0280	10050-2240	10050-0282	10050-2270
1250	5	10050-0239	10050-2241	10050-0269	10050-2271
	10	10050-0240	10050-2242	10050-0270	10050-2272
1500	5	10050-0241	10050-2243	10050-0271	10050-2273
	10	10050-0242	10050-2244	10050-0272	10050-2274
1600	5	10050-0243	10050-2245	10050-0273	10050-2275
	10	10050-0244	10050-2246	10050-0274	10050-2276
2000	10	10050-0245	10050-2247	10050-0275	10050-2277
	15	10050-0246	10050-2248	10050-0276	10050-2278
2500	10	10050-0247	10050-2249	10050-0277	10050-2279
	15	10050-0248	10050-2250	10050-0278	10050-2280

Accessories

Quick-Fix (Art.-no.: 10055021)



Sealed shutter (Art.-no.: 10059059)



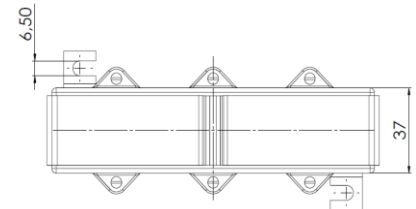
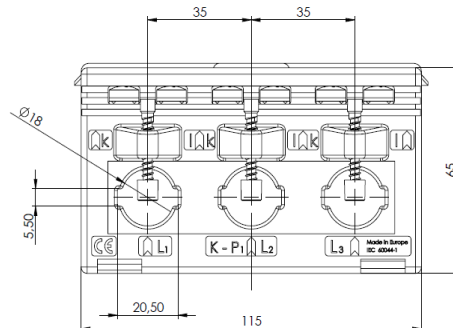
Gilgen, Müller & Weigert (GMW) GmbH & Co. KG

Am Farrnbach 4A · 90556 Cadolzburg
Germany

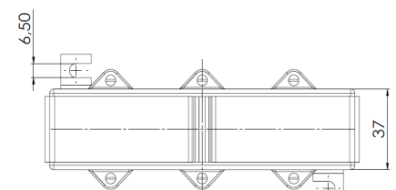
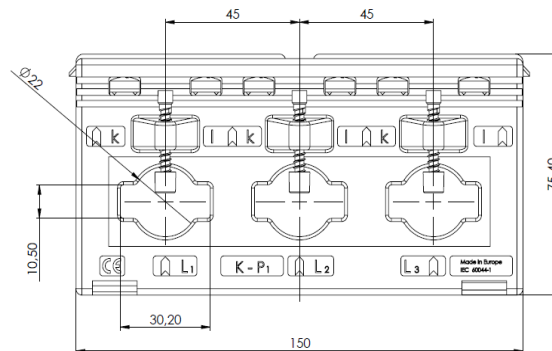
Phone: +49 9103 7129-0 · Fax: +49 9103 7129-207/-205
E-Mail: info@g-mw.de · Web: www.g-mw.de

Three single-phase current transformers

ASRD 205.37



ASRD 310.37



General technical specifications:

Thermal nominal continuous rated current I_{cth} : $1.0 \times I_N$

Thermal nominal short-time current I_{th} : $60 \times I_N$, 1 sec.

Maximum operating voltage U_m : 0.72 kV

Isolation test voltage: 3 kV, U_{eff} , 50 Hz, 1 Min.

Rated frequency: 50 Hz

Isolation class: E

Applicable technical standards: DIN EN 60044/1

VDE 0414 Teil 1

Further information:

- Three single-phase current transformer set for switch closer installation in the field of power switches
- Low space requirements due to compact design
- Designed for primary use in conjunction with electronic measuring and display devices
- Over current rated limiting factor: See rating plate
- Operating temperature: $-5^\circ\text{C} < T < +40^\circ\text{C}$
- Storage temperature: $-25^\circ\text{C} < T < +70^\circ\text{C}$
- Unbreakable plastic housing of black polycarbonate, self-extinguishing, flame resistant
- Nickel-plated secondary terminals with plus-minus nickel-plated screw M5x10 mm
- Integrated secondary locking caps

Gilgen, Müller & Weigert (GMW) GmbH & Co. KG

Am Farrnbach 4A · 90556 Cadolzburg
Germany

Phone: +49 9103 7129-0 · Fax: +49 9103 7129-207/-205
E-Mail: info@g-mw.de · Web: www.g-mw.de

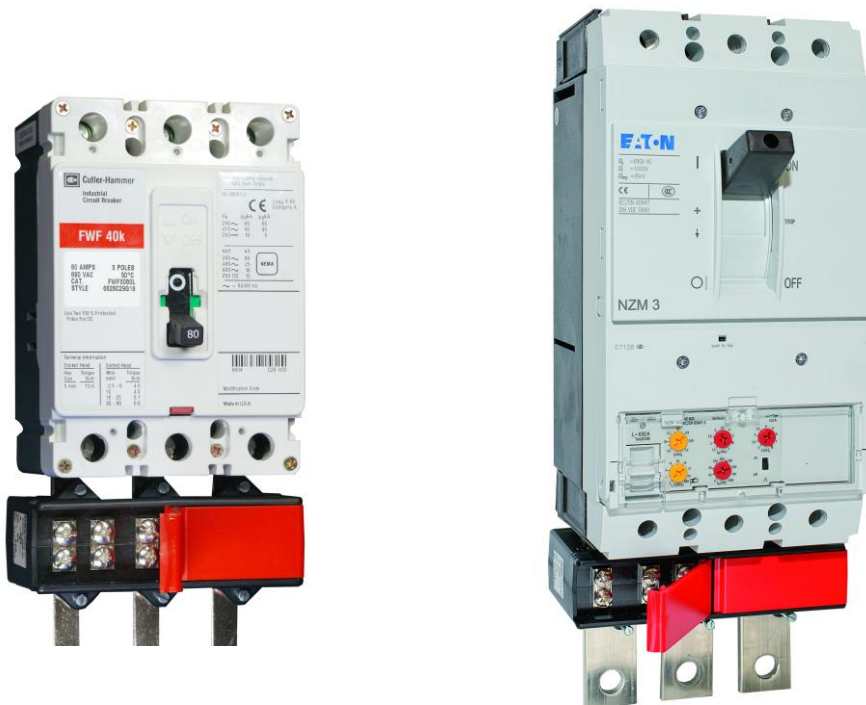
Order list ASRD 205.37

Secondary current		5A	1A
Primary current [A]	Burden [VA]	Accuracy class	Accuracy class
			1
		Art.-no.	Art.-no.
100	1	100D205-010	100D205-020
150	1.25	100D205-011	100D205-021
200	1.5	100D205-012	100D205-022
250	2.5	100D205-013	100D205-023

Order list ASRD 310.37

Secondary current		5A	1A
Primary current [A]	Burden [VA]	Accuracy class	Accuracy class
			1
		Art.-no.	Art.-no.
250	2.5	100D310-010	100D310-020
300	3.75	100D310-011	100D310-021
400	5	100D310-012	100D310-022
500	5	100D310-013	100D310-023
600	5	100D310-014	100D310-024

Application example:



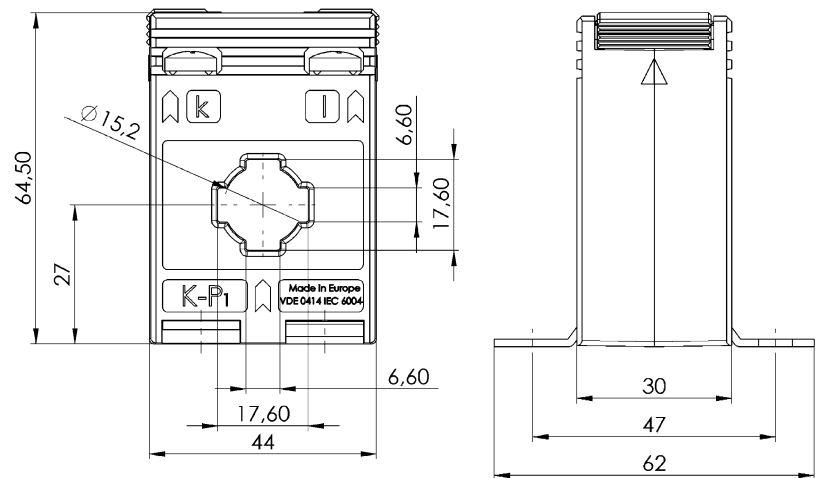
Gilgen, Müller & Weigert (GMW) GmbH & Co. KG

Am Farnbach 4A · 90556 Cadolzburg
Germany

Phone: +49 9103 7129-0 · Fax: +49 9103 7129-207/-205
E-Mail: info@gmw.de · Web: www.gmw.de

(E)AS 176.3

Plug-in current transformer suitable for **SlimLine XR** size XR1



Dimensions:

Primary conductor 1: 17x6 mm
 Round conductor: 15.2 mm
 Transformer width: 44 mm
 Transformer height: 64.5 mm
 Total depth: 30 mm

General technical specifications:

Thermal nominal continuous rated current I_{cth} : $1.2 \times I_N$
 Thermal nominal short-time current I_{th} : $60 \times I_N$, 1 sec.
 Maximum operating voltage U_m : 0.72 kV
 Isolation test voltage: 3 kV, U_{eff} , 50 Hz, 1 Min.
 Rated frequency: 50 Hz
 Isolation class: E
 Applicable technical standards: DIN EN 60044/1
 VDE 0414 Teil 1

Further information:

- Plug-in current transformer for direct installation in low voltage switch bar in size 1 by ABB and Siemens
- Current transformers for tariff applications have been approved by the Physikalisch Technische Bundesanstalt (PTB) Braunschweig (an authorized German testing laboratory)
- Available for primary nominal currents from 75 A up to 250 A
- Accuracy classes: 1 and 0.5
- Overload operation limit up to 120 % of the primary rated current
- Over current rated limiting factor: See rating plate
- Operating temperature: $-5^\circ\text{C} < T < +40^\circ\text{C}$
- Storage temperature: $-25^\circ\text{C} < T < +70^\circ\text{C}$
- Unbreakable plastic housing of black polycarbonate, self-extinguishing, flame resistant
- Nickel-plated secondary terminals with plus-minus nickel-plated screw M5x10 mm
- Integrated secondary locking caps
- Packaging unit: 1 pc.
- Customs tariff number: 85043129

Gilgen, Müller & Weigert (GMW) GmbH & Co. KG

Am Farrnbach 4A · 90556 Cadolzburg
 Germany

Phone: +49 9103 7129-0 · Fax: +49 9103 7129-207/-205
 E-Mail: info@g-mw.de · Web: www.g-mw.de

Order list

AS 176.3 - Plug-in current transformer for industrial applications

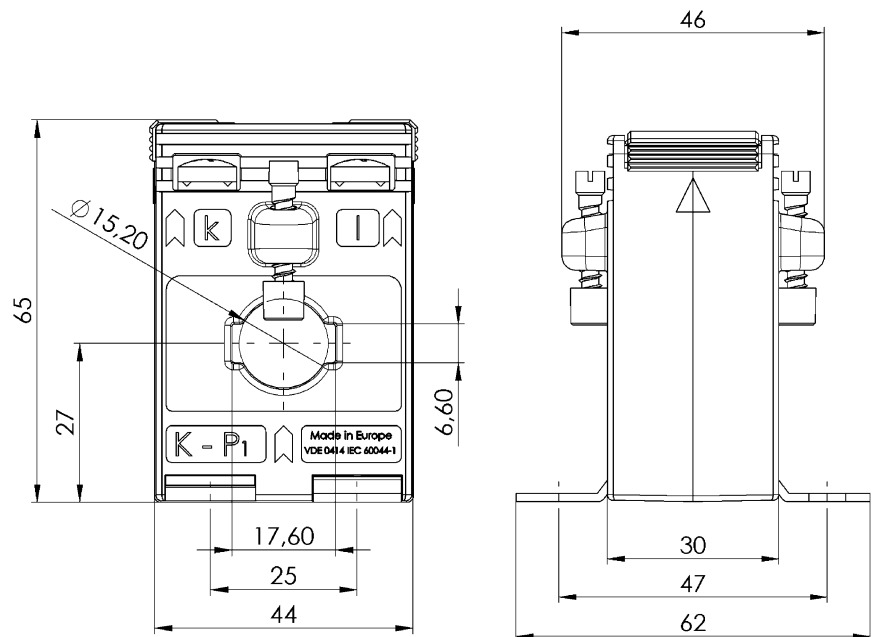
Secondary current		5A		1A	
Primary current [A]	Burden [VA]	Accuracy class		Accuracy class	
		1	0.5	1	0.5
		Art.-no.	Art.-no.	Art.-no.	Art.-no.
75	1.5	1030006009		1030206009	
80	1.5	1030006010		1030206010	
100	1		1030005007		1030205007
	2	1030006001		1030206001	
125	1.5		1030005008		1030205008
	2.5	1030006002		1030206002	
150	1.5	1030006007	1030005001	1030206007	1030205001
	2.5	1030006003	1030005006	1030206003	1030205006
160	2.5	1030006004	1030005004	1030206004	1030205004
200	2.5	1030006005	1030005002	1030206005	1030205002
250	2.5	1030006008	1030005003	1030206008	1030205003
	3.75	1030006006		1030206006	

EAS 176.3 - Plug-in current transformer for tariff applications

Secondary current		5A		1A	
Primary current [A]	Burden [VA]	Accuracy class		Accuracy class	
		1	0.5	1	0.5
		Art.-no.	Art.-no.	Art.-no.	Art.-no.
100	1.5		1030505004		1030705004
150	1.5		1030505001		1030705001
	2.5		1030505005		1030705005
200	2.5		1030505002		1030705002
250	2.5		1030505003		1030705003

(E)ASK 176.3

Plug-in current transformer



Dimensions:

Primary conductor 1: 17x6 mm
 Round conductor: 15.2 mm
 Transformer width: 44 mm
 Transformer height: 64.5 mm
 Total depth: 46 mm

General technical specifications:

Thermal nominal continuous rated current I_{cth} : $1.2 \times I_N$
 Thermal nominal short-time current I_{th} : $60 \times I_N$, 1 sec.
 Maximum operating voltage U_m : 0.72 kV
 Isolation test voltage: 3 kV, U_{eff} , 50 Hz, 1 Min.
 Rated frequency: 50 Hz
 Isolation class: E
 Applicable technical standards: DIN EN 60044/1
 VDE 0414 Teil 1

Further information:

- Available for primary nominal currents from 75 A up to 250 A
- Accuracy class: 1 and 0.5
- Constant overload with 120% of the primary rated current
- Over current rated limiting factor: See rating plate
- Operating temperature: $-5^\circ\text{C} < T < +40^\circ\text{C}$
- Storage temperature: $-25^\circ\text{C} < T < +70^\circ\text{C}$
- Unbreakable plastic housing of black polycarbonate, self-extinguishing, flame resistant
- Nickel-plated secondary terminals with plus-minus nickel-plated screw M5x10 mm
- Integrated secondary locking caps
- Packaging unit: 1 pc.
- Customs tariff number: 85043129

Order list

ASK 176.3 - Plug-in current transformer for industrial applications

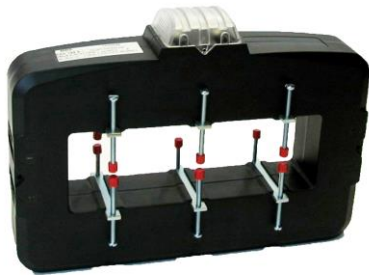
Secondary current		5A		1A	
Primary current [A]	Burden [VA]	Accuracy class		Accuracy class	
		1	0,5	1	0,5
		Art.-no.	Art.-no.	Art.-no.	Art.-no.
75	1.5	1020006009		1020206009	
80	1.5	1020006010		1020206010	
100	1		1020005007		1020205007
	2	1020006001		1020206001	
125	1.5		1020005008		1020205008
	2.5	1020006002		1020206002	
150	1.5	1020006007	1020005001	1020206007	1020205001
	2.5	1020006003	1020005006	1020206003	1020205006
160	2.5	1020006004	1020005004	1020206004	1020205004
200	2.5	1020006005	1020005002	1020206005	1020205002
250	2.5	1020006008	1020005003	1020206008	1020205003
	3.75	1020006006		1020206006	

EASK 176.3 - Plug-in current transformer for tariff applications

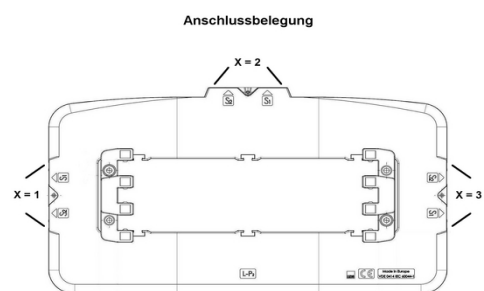
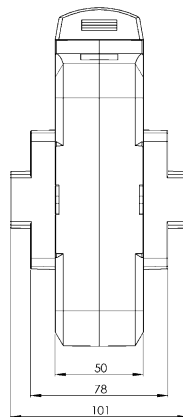
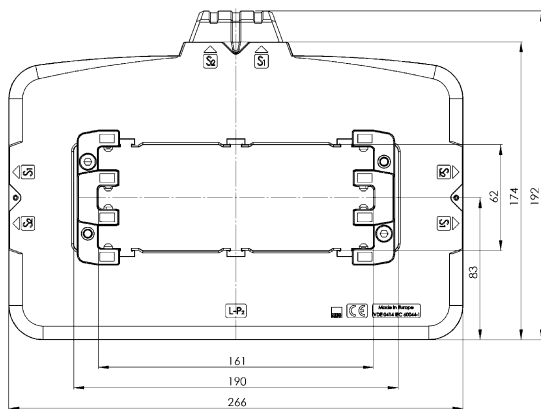
Secondary current		5A		1A	
Primary current [A]	Burden [VA]	Accuracy class		Accuracy class	
		1	0,5	1	0,5
		Art.-no.	Art.-no.	Art.-no.	Art.-no.
100	1.5		1020505004		1020705004
150	1.5		1020505001		1020705001
	2.5		1020505005		1020705005
200	2.5		1020505002		1020705002
250	2.5		1020505003		1020705003

ASK 165.5

Plug-in current transformer with partial resin hardened measuring system



Additional accessories: clamping claw
(for flexible mounting of different bus bar
dimensions) – art. no. 59090



Dimensions:

Bus bar 1: 3x 160x10 mm
 Bus bar 2: 190x60 mm
 Transformer width: 266 mm
 Transformer height: 192 mm
 Total depth: 50 (100) mm

General technical specifications:

Thermal nominal continuous rated current I_{cth} : $1.2 \times I_N$
 Thermal nominal short-time current I_{th} : $60 \times I_N$, 1 sec.
 Maximum operating voltage U_m : 0.72 kV (with clamping claw 1.2 kV)
 Isolation test voltage: 3 kV (with clamping claw 6 kV), U_{eff} ,
 50 Hz, 1 Min.
 Rated frequency: 50 Hz
 Isolation class: F
 Applicable technical standards: DIN EN 60044/1
 VDE 0414 part 1

Further information:

- A newly developed variable mounting system (clamping claw) allows a flexible mounting of different bus bar dimensions (clamping claw is available as additional accessory)
- Direct, secure fixation of the current transformer on the bus-bar
- Time saving connection in view of 3 variable positions of the secondary terminal connections (please state when ordering).
- Primary current: 1000 A ... 4000 A
- Secondary current: 5 A or 1 A (optional 2 A)
- Accuracy classes: 1, 0.5 and 0.2
- Current transformers to accommodate up to 1.2 kV operation voltage (only in connection with the special mounting system - clamping claw)
- Over current rated limiting factor: See rating plate

Gilgen, Müller & Weigert (GMW) GmbH & Co. KG

Am Farrnbach 4A · 90556 Cadolzburg
 Germany

Phone: +49 9103 7129-0 · Fax: +49 9103 7129-207/-205
 E-Mail: info@g-mw.de · Web: www.g-mw.de

- Operating temperature: $-5^{\circ}\text{C} < T < +50^{\circ}\text{C}$
- Storage temperature: $-25^{\circ}\text{C} < T < +70^{\circ}\text{C}$
- Unbreakable plastic housing of black polycarbonate, self-extinguishing, UL94-V0, flame resistant
- Nickel-plated secondary terminals with plus-minus nickel-plated screw M5x10 mm
- Integrated secondary locking caps
- Packaging unit: 1 pc.
- Customs tariff number: 85043129

Order list

Secondary current		5A			1A		
Primary current [A]	Burden [VA]	Accuracy class			Accuracy class		
		1	0.5	0.2	1	0.5	0.2
		Art.-no.	Art.-no.	Art.-no.	Art.-no.	Art.-no.	Art.-no.
1000	5	1650006021-x	1650005001-x	1650003001-x	1650206021-x	1650205001-x	1650203001-x
	10	1650006022-x	1650005002-x		1650206022-x	1650205002-x	
	15	1650006001-x			1650206001-x		
1200	5	1650006023-x	1650005003-x	1650003003-x	1650206023-x	1650205004-x	1650203003-x
	10	1650006024-x	1650005004-x	1650003004-x	1650206024-x	1650205005-x	1650203004-x
	15	1650006002-x	1650005022-x		1650206002-x	1650205024-x	
1250	5	1650006025-x	1650005023-x	1650003005-x	1650206025-x	1650205025-x	1650203005-x
	10	1650006026-x	1650005030-x	1650003006-x	1650206026-x	1650205006-x	1650203006-x
	15	1650006003-x	1650005024-x		1650206003-x	1650205026-x	
1500	10	1650006027-x	1650005005-x	1650003007-x	1650206027-x	1650205007-x	1650203007-x
	15	1650006028-x	1650005006-x		1650206028-x	1650205008-x	
	30	1650006004-x	1650005025-x		1650206004-x	1650205027-x	
1600	10	1650006029-x	1650005007-x	1650003008-x	1650206029-x	1650205009-x	1650203008-x
	15	1650006030-x	1650005008-x		1650206030-x	1650205010-x	
	30	1650006005-x	1650005026-x		1650206005-x	1650205028-x	
2000	10	1650006031-x	1650005009-x	1650003009-x	1650206031-x	1650205011-x	1650203009-x
	15	1650006032-x	1650005010-x	1650003020-x	1650206032-x	1650205012-x	1650203020-x
	30	1650006006-x	1650005011-x		1650206006-x	1650205013-x	
	45	1650006007-x			1650206007-x		
2500	15	1650006033-x	1650005027-x	1650003010-x	1650206033-x	1650205029-x	1650203010-x
	30	1650006034-x	1650005012-x		1650206034-x	1650205014-x	
	60	1650006008-x			1650206008-x		
3000	15	1650006035-x	1650005028-x	1650003012-x	1650206035-x	1650205030-x	1650203011-x
	30	1650006020-x	1650005013-x	1650003013-x	1650206036-x	1650205015-x	1650203012-x
	60	1650006009-x			1650206009-x		
4000	30	1650006036-x	1650005015-x	1650003015-x	1650206037-x	1650205017-x	1650203014-x
	40	1650006037-x			1650206038-x		
	60	1650006011-x			1650206011-x		

Gilgen, Müller & Weigert (GMW) GmbH & Co. KG

Am Farrnbach 4A · 90556 Cadolzburg
Germany

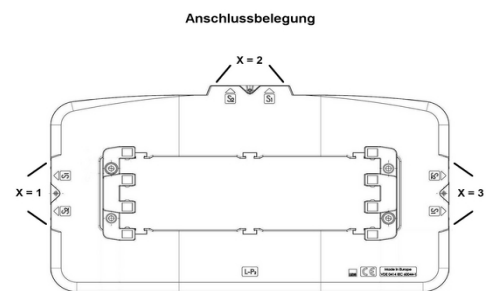
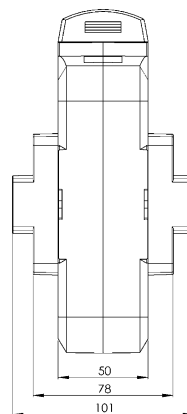
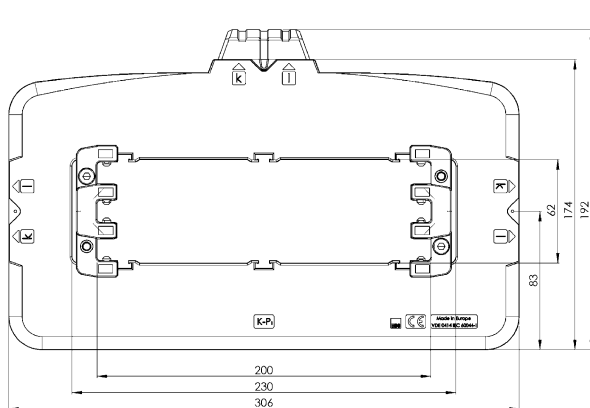
Phone: +49 9103 7129-0 · Fax: +49 9103 7129-207/-205
E-Mail: info@g-mw.de · Web: www.g-mw.de

ASK 205.5

Plug-in current transformer with partly resin hardened measuring system



Additional accessories: clamping claw
(for flexible mounting of different bus bar
dimensions) – art. no. 59090



Dimensions:

Primary conductor 1: 3x 200x10 mm
 Primary conductor 2: 230x60 mm
 Transformer width: 306 mm
 Transformer height: 192 mm
 Total depth: 50 (100) mm

General technical specifications:

Thermal nominal continuous rated current I_{cth} : 1.2 x I_N
 Thermal nominal short-time current I_{th} : 60 x I_N , 1 sec.
 Maximum operating voltage U_m : 0.72 kV (with clamping claw 1.2 kV)
 Isolation test voltage: 3 kV (with clamping claw 6 kV), U_{eff} ,
 50 Hz, 1 Min.
 Rated frequency: 50 Hz
 Isolation class: F
 Applicable technical standards: DIN EN 60044/1
 VDE 0414 part 1

Further information:

- A newly developed variable mounting system (clamping claw) allows a flexible mounting of different bus bar dimensions (clamping claw is available as additional accessory)
- Direct, secure fixation of the current transformer on the bus-bar
- Time saving connection in view of 3 variable positions of the secondary terminal connections (please state when ordering).
- Primary current: 1200 A ... 4000 A
- Secondary current: 5 A or 1 A (optional 2 A)
- Accuracy classes: 1, 0.5 and 0.2
- Current transformers to accommodate up to 1.2 kV operation voltage (only in connection with the special mounting system - clamping claw)
- Over current rated limiting factor: See rating plate

Gilgen, Müller & Weigert (GMW) GmbH & Co. KG

Am Farrnbach 4A · 90556 Cadolzburg
 Germany

Phone: +49 9103 7129-0 · Fax: +49 9103 7129-207/-205
 E-Mail: info@g-mw.de · Web: www.g-mw.de

- Operating temperature: $-5^{\circ}\text{C} < T < +50^{\circ}\text{C}$
- Storage temperature: $-25^{\circ}\text{C} < T < +70^{\circ}\text{C}$
- Unbreakable plastic housing of black polycarbonate, self-extinguishing, UL94-V0, flame resistant
- Nickel-plated secondary terminals with plus-minus nickel-plated screw M5x10 mm
- Integrated secondary locking caps
- Packaging unit: 1 pc.
- Customs tariff number: 85043129

Order list

Secondary current		5A			1A		
Primary current [A]	Burden [VA]	Accuracy class			Accuracy class		
		1	0.5	0.2	1	0.5	0.2
		Art.-no.	Art.-no.	Art.-no.	Art.-no.	Art.-no.	Art.-no.
1200	5	2050006023-x	2050005023-x	2050003001-x	2050206023-x	2050205023-x	2050203001-x
	10	2050006024-x	2050005001-x		2050206024-x	2050205001-x	
	15	2050006001-x	2050005024-x		2050206001-x	2050205024-x	
1250	5	2050006025-x	2050005025-x	2050003003-x	2050206025-x	2050205025-x	2050203003-x
	10	2050006026-x	2050005002-x	2050003004-x	2050206026-x	2050205002-x	2050203004-x
	15	2050006002-x	2050005026-x		2050206002-x	2050205026-x	
1500	5	2050006027-x	2050005027-x	2050003005-x	2050206027-x	2050205027-x	2050203005-x
	10	2050006028-x	2050005003-x	2050003006-x	2050206028-x	2050205003-x	2050203006-x
	15	2050006003-x	2050005004-x	2050003007-x	2050206003-x	2050205004-x	2050203007-x
	30	2050006004-x			2050206004-x		
1600	5	2050006029-x	2050005028-x	2050003008-x			
	10	2050006030-x	2050005029-x	2050003009-x	2050206029-x	2050205028-x	2050203009-x
	15	2050006005-x	2050005005-x	2050003010-x	2050206005-x	2050205005-x	2050203010-x
	30	2050006006-x			2050206006-x		
2000	10	2050006031-x	2050005030-x	2050003011-x	2050206030-x	2050205029-x	2050203011-x
	15	2050006032-x	2050005006-x	2050003012-x	2050206031-x	2050205006-x	2050203012-x
	30	2050006007-x	2050005007-x		2050206007-x	2050205007-x	
2500	10	2050006033-x	2050005031-x	2050003013-x	2050206032-x	2050205030-x	2050203013-x
	15	2050006034-x	2050005008-x	2050003014-x	2050206033-x	2050205008-x	2050203014-x
	30	2050006035-x	2050005009-x		2050206034-x	2050205009-x	
3000	10	2050006036-x	2050005032-x	2050003015-x	2050206035-x	2050205031-x	2050203015-x
	15	2050006037-x	2050005010-x	2050003016-x	2050206036-x	2050205010-x	2050203016-x
	30	2050006038-x	2050005011-x	2050003017-x	2050206037-x	2050205011-x	2050203017-x
	45	2050006009-x			2050206009-x		
4000	15	2050006039-x	2050005033-x	2050003019-x	2050206038-x	2050205032-x	2050203019-x
	30	2050006010-x	2050005012-x	2050003020-x	2050206010-x	2050205012-x	2050203020-x
	60	2050006011-x			2050206011-x		
5000	15	2050006040-x	2050005034-x	2050003021-x	2050206039-x	2050205033-x	2050203021-x
	30	2050006013-x	2050005014-x	2050003022-x	2050206013-x	2050205014-x	2050203022-x
	60	2050006014-x			2050206014-x		

ASG 106

Tube current transformer for panel boards with hardened Polyurethan resin Current and protection transformer in one housing

Features / Benefits



- Tube current transformer with 1...4 measuring systems integrated in one housing
- Rated voltage 0.72 / 3 / - kV
- Primary current range 40A ... 1250A
- Secondary currents: 5 A, 2 A or 1 A, other values upon request
- Rated burden 2,5VA ... 30VA
- Accuracy classes: 0,2; 0,2s; 0,5; 0,5s; 1; 3
- Protection classes: 5P /10P/ PX
- Thermal nominal continuous rated current I_{cth} : 1.2 x I_N , other values upon request
- Combination from current and protection transformer in one housing
- Measuring system with hardened Polyurethan resin
- Reliable results under extreme mechanical and climatic conditions
- 4 different housing depths enable the implementation of variable customer requirements
- Reduction of the external wiring effort by fixed, arranged flexible connecting cables

Dimensions:

Primary opening diameter: 106 mm
Transformer width: 190 mm
Total depth: 50, 100, 170, 214 mm

General technical specifications:

Thermal nominal continuous rated current I_{cth} : 1.2 x I_N , other values upon request
Thermal nominal short-time current I_{th} : 25 kA, 3 sec., other values upon request
Maximum operating voltage U_m : 0.72 kV
Isolation test voltage: 3 kV, U_{eff} , 50 Hz, 1 min.
Rated frequency: 50 Hz, other values upon request
Isolation class: F
Applicable technical standards: DIN EN 60044/1
VDE 0414 Teil 1

Further information:

- Housing depth [x] dependent on the number and type of the chosen measuring system
- Measuring systems with hardened Polyurethan resin
- Reliable results under extreme mechanical and climatic conditions due to the full resin hardening
- Resin material with high fire safety (UL94-V0)
- Siemens AG type tests
- Applications: SF6-isolated medium voltage switchgears, wind turbines, facilities for power generation on ships, power distribution systems etc.
- Measuring cores with PTB-Test approval available

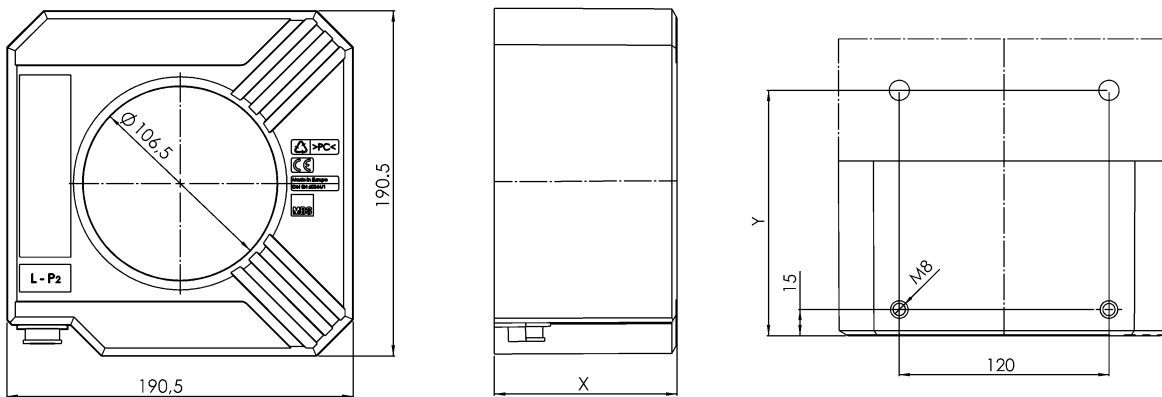
Gilgen, Müller & Weigert (GMW) GmbH & Co. KG

Am Farrnbach 4A · 90556 Cadolzburg
Germany

Phone: +49 9103 7129-0 · Fax: +49 9103 7129-207/-205
E-Mail: info@g-mw.de · Web: www.g-mw.de

- Secondary connections: Flexible copper wire, standard length 3.6 m, 4 mm², other lengths and profiles upon request
- Solidly installed flexible terminal connections, additional textile braided sleeving for the protection of the isolation of the connection cable
- Influence of cable length is taken into account in the interpretation of the measurement systems
- Over current rated limiting factor: See rating plate
- Operating temperature: $-5^{\circ}\text{C} < T < +60^{\circ}\text{C}$
- Storage temperature: $-25^{\circ}\text{C} < T < +70^{\circ}\text{C}$
- Housing material: ABS, self-extinguishing, UL94-V0,
- 1-phase low voltage current transformer
- Full resin hardening and a new fixation system allow the application with higher mechanical load (application close to generator)
- High climate resistance and electric safety is achieved by high-quality materials
- Reduction of external wiring by means of flexible selectable length of secondary connection cables
- Mounting of current transformer with 2 pieces (optional 4 pieces) hexagon bolts M8x30
- Packaging unit: 1 pc.
- Customs tariff number: 85043129

Measurements:



Housing depth [x]	50 mm	100 mm	170 mm	214 mm
Measurement y (optional!)	-	85 mm	155 mm	199 mm

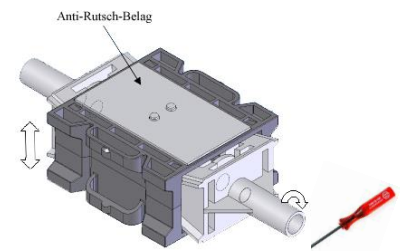
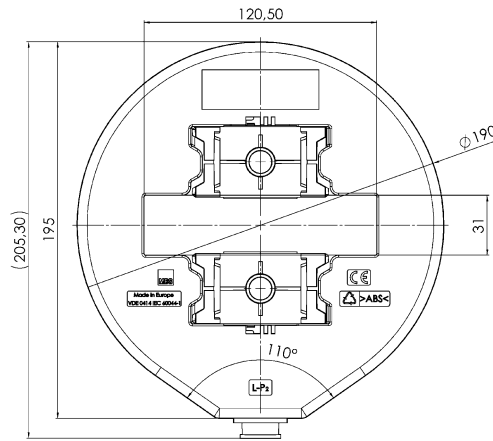
Gilgen, Müller & Weigert (GMW) GmbH & Co. KG

Am Farrnbach 4A · 90556 Cadolzburg
Germany

Phone: +49 9103 7129-0 · Fax: +49 9103 7129-207/-205
E-Mail: info@g-mw.de · Web: www.g-mw.de

ASG 123

Plug-in transformer for panel boards with hardened Polyurethan resin
Current and protection transformer in one housing



Dimensions:

Primary conductor 1: 2x 120x10 mm
Primary conductor 2: 120x30 mm
Transformer depths: 50, 100, 125 mm

General technical specifications:

Thermal nominal continuous rated current I_{cth} : $1.2 \times I_N$
Thermal nominal short-time current I_{th} : 25 kA, 3 sec.,
other values upon request
Maximum operation voltage U_m : 1.2 kV
Isolation test voltage: 6 kV, U_{eff} , 50 Hz, 1 min.
Rated frequency: 50 Hz, other values upon request
Isolation class: F
Applicable technical standards: DIN EN 60044/1
VDE 0414 Teil 1

Further information::

- Tube current transformer with 1...3 measuring systems integrated in one housing
- Depth dependent on the number and type of the chosen measuring system
- It is possible to integrate into one housing a combination of measuring transformers and protection transformers
- Measuring systems with hardened Polyurethan resin
- Reliable results under extreme mechanical and climatic conditions
- Resin material with high fire safety (UL94-V0)
- Simple fixation on the bus- bar by means of two clamp modules included in delivery
- Vibration stability of the current transformer was confirmed by an external independent laboratory
- Applications: SF6-isolated medium voltage switchgears, wind turbines, facilities for power generation on ships, power distribution systems etc.
- Primary current range 500 A ... 4000 A
- Secondary currents: 5 A, 2 A or 1 A, other values upon request
- Accuracy classes: 1; 0.5; 0.5s; 0.2 and 0.2s

Gilgen, Müller & Weigert (GMW) GmbH & Co. KG

Am Farrnbach 4A · 90556 Cadolzburg
Germany

Phone: +49 9103 7129-0 · Fax: +49 9103 7129-207/-205
E-Mail: info@g-mw.de · Web: www.g-mw.de

- Protection classes: 5P10, 10P10, 5P20, 10P20, PX
- Secondary connections: Flexible copper wire, standard length 1.5 m, 4 mm², other lengths and profiles upon request
- Solidly installed flexible terminal connections, additional textile braided sleeving for the protection of the isolation of the connection cable
- Influence of cable length is taken into account in the interpretation of the measurement systems
- Overload operation limit up to 120% of the primary rated current
- Over current rated limiting factor: See rating plate
- Operating temperature: $-5^{\circ}\text{C} < T < +60^{\circ}\text{C}$
- Storage temperature: $-25^{\circ}\text{C} < T < +70^{\circ}\text{C}$
- Housing material: ABS, self-extinguishing, UL94-V0,
- 1-phase low voltage current transformer
- Full resin hardening and a new fixation system allow the application with higher mechanical load (application close to generator)
- High climate resistance and electric safety is achieved by high-quality materials
- Reduction of external wiring by means of flexible selectable length of secondary connection cables
- Packaging unit: 1 pc.
- Customs tariff number: 85043129

Application example:



Gilgen, Müller & Weigert (GMW) GmbH & Co. KG

Am Farrnbach 4A · 90556 Cadolzburg
Germany

Phone: +49 9103 7129-0 · Fax: +49 9103 7129-207/-205
E-Mail: info@g-mw.de · Web: www.g-mw.de



SWMU 31.5

Measuring transducer for alternating current

**with or without auxiliary voltage supply
with integrated current transformer housing unit
for 35 mm DIN rail**

Features/benefits

- measuring input: Sinus-shaped AC current (1 A ... 750 A),
- arithmetical mean value measurement, effective value calibrated
- measuring output: Unipolar output signal
- measuring principle: Rectifier process
- with integrated current transformer
- minimal wiring

Application

Measuring transducers for the transformation of sinus-shaped AC current. For an output signal a load-independent DC current / and an imprinted DC voltage signal is available, which stands proportionally to the measurement value of the input volume.

These signals can be used for display, recording, monitoring and/or control function.

The measuring transducer fulfills the requirements and regulations with regard to the electromagnetic compatibility (EMV) and security (IEC 1010 and EN 61010). This measuring transducer has been designed, produced, and tested in accordance with ISO 9001.

Technical data SWMU 31.51/52 SWMU 32.51/52

measuring input		auxiliary power	
nominal frequency	f_N 50/60 Hz	AC power supply	230 V \pm 10% (50...60 Hz)
rated input current I_N		DC	24 V \pm 15%
SWMU 31.52	1...10 A	power input	\leq 1.5 W (2.5 VA)
SWMU 31.51	15...750 A	accuracy	
consumption	\leq 1 VA (2.5 VA without auxiliary voltage)	reference value	output end value
overload capacity	1.5 \cdot I_N , constant 8 \cdot I_N , 40 sec.	accuracy class	class 0.5
measuring output		warming-up time	\leq 5 min.
load-independent DC current	0...20 mA or 4...20 mA*	protection	
max. burden resistance	\leq 500 Ω	electrocution protection	IP 40, housing (test wire, EN 60529) IP 20, connection terminals (test digit, EN 60529)
max. burden voltage	\leq 15V	contamination class	2
current limit		test voltages (DIN 57411)	4 kV, active circuits against housing 4 kV, auxiliary voltage against measuring output (230 V AC-version) 500 V, auxiliary voltage against measuring output (24 V DC-version)
under overload	\leq 34 mA		
imprinted DC voltage	0...10 V or 2...10 V*		
burden resistance	\geq 10 k Ω		
max. burden voltage under overload	\leq 18 V		
voltage limit	\leq 18 V		
residual ripple of the output current	\leq 1% p.p.		
response time	\leq 500 ms		
operating temperature range	-5° C \leq δ \leq +40° C		
			*Live-Zero only with auxiliary voltage
			Please note: Mounting base for direct fitting without use of 35mm DIN rail included in the deliveries

Gilgen, Müller & Weigert (GMW) GmbH & Co. KG

Am Farrnbach 4A · 90556 Cadolzburg
Germany

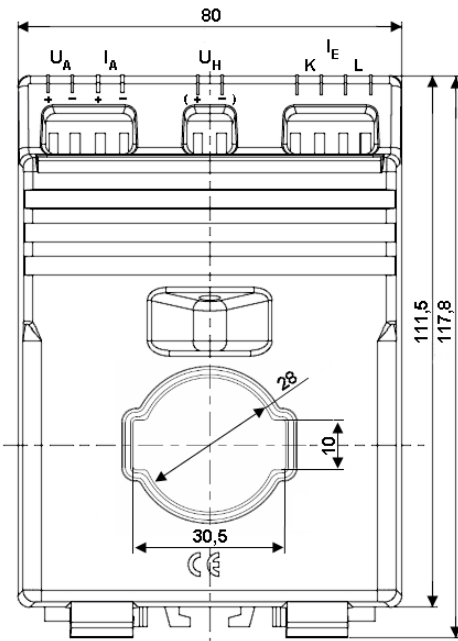
Phone: +49 9103 7129-0 · Fax: +49 9103 7129-207/-205
E-Mail: info@g-mw.de · Web: www.g-mw.de

1. Auxiliary voltage 230 V AC

Type SWMU	Primary current [A]	Measuring output			
		0...20mA and 0...10V	4...20mA and 0...10V	0...20mA and 2...10V	4...20mA and 2...10V
31.52	1	10031-1006	10031-2006	10031-3006	10031-4006
	5	10031-1007	10031-2007	10031-3007	10031-4007
	10	10031-1008	10031-2008	10031-3008	10031-4008
31.51	15	10031-1009	10031-2009	10031-3009	10031-4009
	20	10031-1010	10031-2010	10031-3010	10031-4010
	25	10031-1011	10031-2011	10031-3011	10031-4011
	30	10031-1012	10031-2012	10031-3012	10031-4012
	40	10031-1013	10031-2013	10031-3013	10031-4013
	50	10031-1014	10031-2014	10031-3014	10031-4014
	60	10031-1015	10031-2015	10031-3015	10031-4015
	75	10031-1016	10031-2016	10031-3016	10031-4016
	100	10031-1017	10031-2017	10031-3017	10031-4017
	150	10031-1018	10031-2018	10031-3018	10031-4018
	200	10031-1019	10031-2019	10031-3019	10031-4019
	250	10031-1020	10031-2020	10031-3020	10031-4020
	300	10031-1021	10031-2021	10031-3021	10031-4021
	400	10031-1022	10031-2022	10031-3022	10031-4022
	500	10031-1023	10031-2023	10031-3023	10031-4023
600	10031-1024	10031-2024	10031-3024	10031-4024	
750	10031-1025	10031-2025	10031-3025	10031-4025	

measuring frequency 50/60 Hz

weight: 350 g



Depth: 50 (72) mm

2. Auxiliary voltage 24 V DC

Type SWMU	Primary current [A]	Measuring output			
		0...20mA and 0...10V	4...20mA and 0...10V	0...20mA and 2...10V	4...20mA and 2...10V
31.52	1	10031-5006	10031-6006	10031-7006	10031-8006
	5	10031-5007	10031-6007	10031-7007	10031-8007
	10	10031-5008	10031-6008	10031-7008	10031-8008
31.51	15	10031-5009	10031-6009	10031-7009	10031-8009
	20	10031-5010	10031-6010	10031-7010	10031-8010
	25	10031-5011	10031-6011	10031-7011	10031-8011
	30	10031-5012	10031-6012	10031-7012	10031-8012
	40	10031-5013	10031-6013	10031-7013	10031-8013
	50	10031-5014	10031-6014	10031-7014	10031-8014
	60	10031-5015	10031-6015	10031-7015	10031-8015
	75	10031-5016	10031-6016	10031-7016	10031-8016
	100	10031-5017	10031-6017	10031-7017	10031-8017
	150	10031-5018	10031-6018	10031-7018	10031-8018
	200	10031-5019	10031-6019	10031-7019	10031-8019
	250	10031-5020	10031-6020	10031-7020	10031-8020
	300	10031-5021	10031-6021	10031-7021	10031-8021
	400	10031-5022	10031-6022	10031-7022	10031-8022
	500	10031-5023	10031-6023	10031-7023	10031-8023
600	10031-5024	10031-6024	10031-7024	10031-8024	
750	10031-5025	10031-6025	10031-7025	10031-8025	

measuring frequency 50/60 Hz

weight: 250 g

3. Without auxiliary voltage supply

Type SWMU	Primary current [A]	Measuring output
		0...20mA and 0...10V
32.52	1	10031-9006
	5	10031-9007
	10	10031-9008
32.51	40	10031-9013
	50	10031-9014
	60	10031-9015
	75	10031-9016
	100	10031-9017
	150	10031-9018
	200	10031-9019
	250	10031-9020
	300	10031-9021
	400	10031-9022
	500	10031-9023
	600	10031-9024
750	10031-9025	

power requirements $P_E \geq 2,5 \text{ VA}$!

measuring frequency 50/60 Hz

weight 600g

operating range 15 ... 120 % I_N

Gilgen, Müller & Weigert (GMW) GmbH & Co. KG

Am Farnbach 4A · 90556 Cadolzburg
Germany

Phone: +49 9103 7129-0 · Fax: +49 9103 7129-207/-205

E-Mail: info@g-mw.de · Web: www.g-mw.de

SWMU 41.5

Measuring transducer for alternating current



**with or without auxiliary voltage supply
with integrated current transformer housing unit
for 35 mm DIN rail**

Features/benefits

- measuring input: Sinus-shaped AC current (1 A ... 800 A),
- arithmetical mean value measurement, effective value calibrated
- measuring output: Unipolar output signal
- measuring principle: Rectifier process
- with integrated current transformer
- minimal wiring

Application

Measuring transducers for the transformation of sinus-shaped AC current. For an output signal a load-independent DC current / and an imprinted DC voltage signal is available, which stands proportionally to the measurement value of the input volume.

These signals can be used for display, recording, monitoring and/or control function.

The measuring transducer fulfills the requirements and regulations with regard to the electromagnetic compatibility (EMV) and security (IEC 1010 and EN 61010). This measuring transducer has been designed, produced, and tested in accordance with ISO 9001.

Technical data SWMU 41.51/52 SWMU 42.51/52

measuring input		auxiliary power	
nominal frequency	f_N 50/60 Hz	AC power supply	230 V \pm 10% (50...60 Hz)
rated input current I_N		DC	24 V \pm 15%
SWMU 41.52	1...10 A	power input	\leq 1.5 W (2.5 VA)
SWMU 41.51	15...800 A	accuracy	
consumption	\leq 1 VA (2.5 VA without auxiliary voltage)	reference value	output end value
overload capacity	1.5 \cdot I_N , constant 8 \cdot I_N , 40 sec.	accuracy class	class 0.5
measuring output		warming-up time	\leq 5 min.
load-independent DC current	0...20 mA or 4...20 mA*	protection	
max. burden resistance	\leq 500 Ω	electrocution protection	IP 40, housing (test wire, EN 60529) IP 20, connection terminals (test digit, EN 60529)
max. burden voltage	\leq 15V	contamination class	2
current limit		test voltages (DIN 57411)	4 kV, active circuits against housing 4 kV, auxiliary voltage against measuring output (230 V AC-version) 500 V, auxiliary voltage against measuring output (24 V DC-version)
under overload	\leq 34 mA		
imprinted DC voltage	0...10 V or 2...10 V*		
burden resistance	\geq 10 k Ω		
max. burden voltage			
under overload	\leq 18 V		
voltage limit	\leq 18 V		
residual ripple of the output current	\leq 1% p.p.		
response time	\leq 500 ms		
operating temperature range	-5° C \leq δ \leq +40° C		
			*Live-Zero only with auxiliary voltage
			Please note: Mounting base for direct fitting without use of 35mm DIN rail included in the deliveries

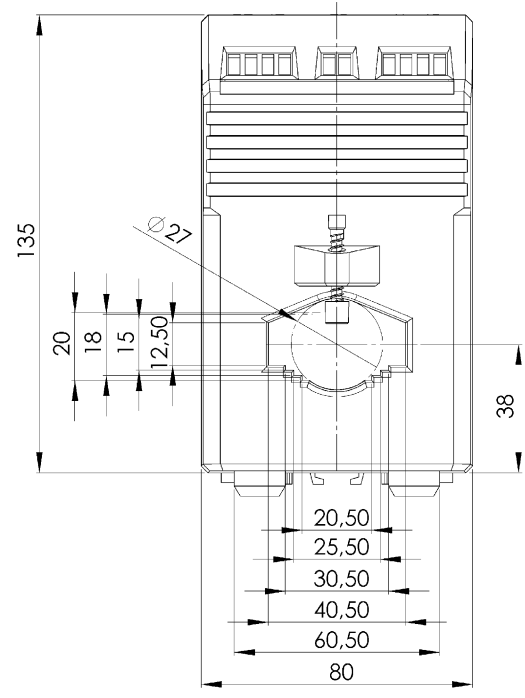
Gilgen, Müller & Weigert (GMW) GmbH & Co. KG

Am Farrnbach 4A · 90556 Cadolzburg
Germany

Phone: +49 9103 7129-0 · Fax: +49 9103 7129-207/-205
E-Mail: info@g-mw.de · Web: www.g-mw.de

1. Auxiliary voltage 230 V AC

Type SWMU	Primary current [A]	Measuring output			
		0...20mA and 0...10V	4...20mA and 0...10V	0...20mA and 2...10V	4...20mA and 2...10V
41.52	1	10061006	10062006	10063006	10064006
	5	10061007	10062007	10063007	10064007
	10	10061008	10062008	10063008	10064008
41.51	15	10061009	10062009	10063009	10064009
	20	10061010	10062010	10063010	10064010
	25	10061011	10062011	10063011	10064011
	30	10061012	10062012	10063012	10064012
	40	10061013	10062013	10063013	10064013
	50	10061014	10062014	10063014	10064014
	60	10061015	10062015	10063015	10064015
	75	10061016	10062016	10063016	10064016
	100	10061017	10062017	10063017	10064017
	150	10061018	10062018	10063018	10064018
	200	10061019	10062019	10063019	10064019
	250	10061020	10062020	10063020	10064020
	300	10061021	10062021	10063021	10064021
	400	10061022	10062022	10063022	10064022
	500	10061023	10062023	10063023	10064023
	600	10061024	10062024	10063024	10064024
	750	10061025	10062025	10063025	10064025
800	10061026	10062026	10063026	10064026	



Depth: 50 (72) mm

measuring frequency 50/60 Hz
weight: 350 g

2. Auxiliary voltage 24 V DC

Type SWMU	Primary current [A]	Measuring output			
		0...20mA and 0...10V	4...20mA and 0...10V	0...20mA and 2...10V	4...20mA and 2...10V
41.52	1	10065006	10066006	10067006	10068006
	5	10065007	10066007	10067007	10068007
	10	10065008	10066008	10067008	10068008
41.51	15	10065009	10066009	10067009	10068009
	20	10065010	10066010	10067010	10068010
	25	10065011	10066011	10067011	10068011
	30	10065012	10066012	10067012	10068012
	40	10065013	10066013	10067013	10068013
	50	10065014	10066014	10067014	10068014
	60	10065015	10066015	10067015	10068015
	75	10065016	10066016	10067016	10068016
	100	10065017	10066017	10067017	10068017
	150	10065018	10066018	10067018	10068018
	200	10065019	10066019	10067019	10068019
	250	10065020	10066020	10067020	10068020
	300	10065021	10066021	10067021	10068021
	400	10065022	10066022	10067022	10068022
	500	10065023	10066023	10067023	10068023
	600	10065024	10066024	10067024	10068024
	750	10065025	10066025	10067025	10068025
800	10065026	10066026	10067026	10068026	

measuring frequency 50/60 Hz
weight: 250 g

3. Without auxiliary voltage supply

Type SWMU	Primary current [A]	Measuring output
		0...20mA and 0...10V
42.52	1	10069006
	5	10069007
	10	10069008
42.51	40	10069013
	50	10069014
	60	10069015
	75	10069016
	100	10069017
	150	10069018
	200	10069019
	250	10069020
	300	10069021
	400	10069022
	500	10069023
600	10069024	
750	10069025	
800	10069026	

power requirements $P_E \geq 2,5 \text{ VA!}$
measuring frequency 50/60 Hz
weight: 600g
operating range 15 ... 120 % I_N

GMW – Wir machen Energie messbar

GMW – We Make Energy Measurable



Auf dem Energieübertragungsweg zwischen Kraftwerk und Verbraucher ist an einer Vielzahl von Messstellen die korrekte Erfassung der Stromstärken notwendig. Dies erfolgt mit Hilfe von Stromwandlern, sowie mit Analog- und Digitalanzeigern.

GMW liefert Ihnen ein umfangreiches Sortiment an Gerätetester, Analog- und Digitalanzeiger, Energiezähler, Strom- und Spannungswandler, Messumformer, Thermodrucker, Textanzeiger, Tastköpfe und Schaltschrank - Komponenten.

In the energy transfer from power station to consumer, it is essential to ensure the correct collection of amperages at a multiplicity of measuring points. This is done by means of current transformers, analogue and digital panel meters.

GMW supplies you an extensive assortment of safety appliance testers, analogue- and digital panel meters, energy meters, current- and voltage transformers, measuring transducers, thermal printers, text displays, probes and switchboard - components.

10 Reasons for GMW

- ✓ Customer oriented solutions
- ✓ Individual consultancy
- ✓ Satisfied customers in all continents
- ✓ Large range of products
- ✓ Multiple of international licences and certificates
- ✓ Supreme technical quality
- ✓ Excellent service
- ✓ Reliability
- ✓ Fast deliveries
- ✓ Experience since 1950









Gilgen, Müller & Weigert (GMW) GmbH & Co. KG

Am Farrnbach 4A · 90556 Cadolzburg
Germany

Phone: +49 9103 7129-0 · Fax: +49 9103 7129-207/-205
E-Mail: info@g-mw.de · Web: www.g-mw.de



We supply you an extensive range of products:

	Appliance Testers
	Analog Indicator
	Digital Indicator
	Energy meters for industrial and settlement
	Current and voltage transformers for industrial and settlement
	Measuring converter
	Thermal printer, text viewer, (probes)
	Control cabinet - Components

www.g-mw.de

Gilgen, Müller & Weigert (GMW) GmbH & Co. KG

Am Farrnbach 4A · 90556 Cadolzburg · Germany

Phone: +49 9103 7129-0 · Telefax: +49 9103 7129-207/-205

info@g-mw.de · www.g-mw.de