

DIGEM 96 x 48 CK5

Digital Indicator with Limit Value and LED Display
Type A1265

- ❖ Front panel dimensions 96 x 48 mm
- ❖ Max. display range - 19 999 to + 32 765
- ❖ Flexible through modular plug-in system
- ❖ Easy adjustment
- ❖ As an option max. 4 limit values possible
- ❖ Adjustable to client specific characteristic curve
- ❖ Addition, subtraction of two measurement values
- ❖ Multiplication, division of two measurement values
- ❖ Automatic TARE function

- ❖ Automatic alignment at pressure measurement
- ❖ Storage of min./max. measurement values
- ❖ Power supply is electronically isolated from the other circuits
- ❖ Also available with auxiliary power for 2-wire measuring transducers
- ❖ RS232 and RS485 interface (optionally)
- ❖ Analog output (optionally)
- ❖ Casing suitable for grid mounting

The DIGEM 96 x 48 CK5 is a precision, modular panel meter.

The instrument can be equipped with a multitude of various measuring modules for a variety of measuring tasks.

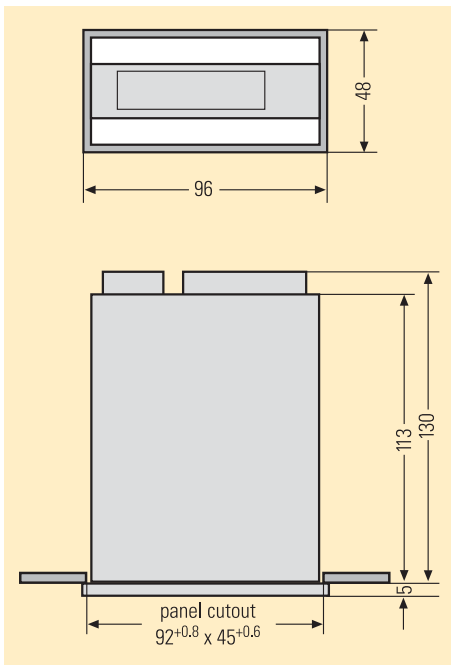
Scale graduations and set points are easy to adjust with the keys at the front panel, even after the instrument has been installed.

Furthermore, the extensive additional functions expand the range of applications so that the measuring instruments can be adapted optimally to the required task.

These instruments can be equipped for the following measurement tasks:

- ❖ Direct current and voltage measurements
- ❖ Alternating current and voltage measurements
- ❖ Temperature measurements
- ❖ Frequency and RPM measurements
- ❖ Pressure measurements
- ❖ Pulse counter
- ❖ Display in $\cos \varphi$
- ❖ Non-linear input quantities

The instrument is optionally also designed for applications which require monitoring and evaluation of measurement values, as well as forwarding these via analog output or serial interface.



Characteristic Values, DIGEM 96 x 48 CK5

Display

Type	7 Segment LED
Display Colour	red, optionally green
Character Height	approx. 14 mm
Display Range	- 19 999 ... 32 765
Polarity	"-" is displayed automatically
Decimal point	programmable
Overflow Display	blinking - top dash

Measuring Ranges

Direct Voltage	$\pm 60 \text{ mV}$ to $\pm 300 \text{ V}$
Direct Current	$\pm 2 \text{ mA}$ to $\pm 200 \text{ mA}$ 0 ... 20 mA 4 ... 20 mA with power supply for 2-wire transducer
Alternating Voltage	0 ... 700 V
Alternating Current	0 ... 200 mA; 0 ... 1 A / 5 A
TRMS Voltage	0 ... 700 V
TRMS Current	0 ... 200 mA; 0 ... 1 A / 5 A

Crest Factor	6 (additionally 0,5 % of Measurement value)
Temperature	Pt100 - 200 ... + 800 °C - 328 ... + 1473 °F Thermocouples Type J, K, R, S 0 ... + 1.600°C - 310 ... + 2 300 °F
Resistance	0 ... 10 000 Ω
Frequency	0 ... 200,00 kHz
Resolution	max. 0,1 Hz
Pressure	min. 2 mV / V max. 20 mV / V
Pulse Counter	up-counter, down-counter

Interface

Limit value: max. 4 relays
Analog output (optionally)
Serial Interface (optionally)
RS232 or RS485

Power Supply

90 ... 230 V AC 50 / 60 Hz
90 ... 260 V DC or
18 ... 36 V DC /
24 V AC 50 / 60 Hz

Ambient Conditions

Operating Temperature	0 ... + 50 °C
Storage Temperature	- 20 ... + 70 °C
Relative Humidity	max. 85 %
Contamination Level	2
Overvoltage Category	II

Casing

Protection	front panel: IP 40 rear panel: IP 20
Bezel	black
Weight	0.9 kg
Installation	mounting tabs
Terminals	screw terminal blocks