

DIGEM 96 x 48 MB5

3.5 Place Digital Indicator Type A1225

- ❖ Front panel dimensions 96 x 48 mm
- ❖ Red or green LED display, 14 mm high
- ❖ Wide, freely selectable, setting range
- ❖ Decimal point and final value adjustable

The DIGEM 96 x 48 MB5 is an overview display in DIN-casing that allows for a wide measurement range for current and voltage.

This instrument is available in two models:

- ❖ as option F for direct voltage or
- ❖ as option AC for alternating voltage and alternating current

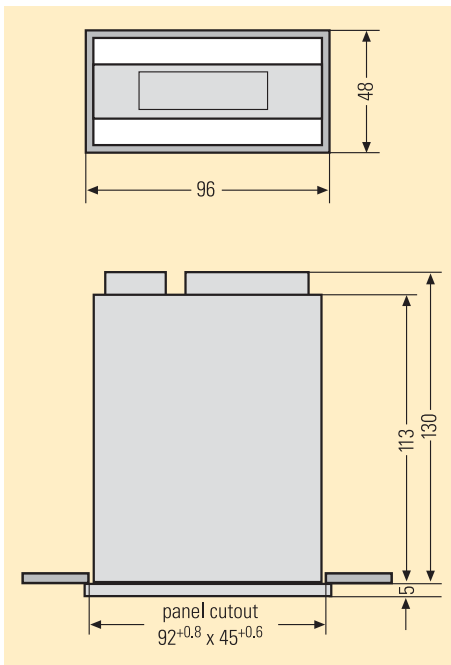
The final value of the display can be adjusted in range 1:10 for DC measurements. This makes the DIGEM 96 x 48 MB5 suitable for many measuring tasks.

The wide setting range guarantees an uncomplicated adjustment to the measured variable.

Display and measurement range pre-selection is accomplished by means of a DIP switch, placed at the back of the case.

The decimal point and final values are also adjustable with this DIP switch.

The instrument can optionally be equipped with a HOLD digital signal.



Characteristic Values, 96 x 48 MB5

Display

Type	7 Segment LED
Display Colour	red, optionally green
Character Height	14 mm
Display Range	3 1/2 digit ± 1999
Polarity	"—" is displayed automatically
Decimal Point	fixed
Overflow Display	"1 ..."

Measuring Ranges

Option F:	
Direct Voltage	0 ... 2 V 0 ... 20 V 0 ... 200 V 0 ... 500 V
Option AC:	
Alternating Voltage	0 ... 500 V
Alternating Current	0 ... 1 A 0 ... 5 A

Power Supply

230 V / 115 V AC 50 / 60 Hz
24 V AC 50 / 60 Hz
24 V DC

Ambient Conditions

Operating Temperature	0 ... + 50 °C
Storage Temperature	- 40 ... + 80 °C
Relative Humidity	max. 85%
Contamination Level	2
Overvoltage Category	II

Casing

Protection	front panel: IP 50 rear panel: IP 20
Bezel	black
Installation Depth	130 mm
Weight	max. 0.5 kg
Installation	screw clamp
Terminals	screw terminal blocks