

Display ranges can easily be adjusted with coded jumpers and potentiometer.

These measuring instruments can be used for all industrial applications thanks to their robust metal casings.

Measuring ranges are preset at the factory in accordance with the respective measuring task.

Depending on the model, the following measuring ranges are available:

- ❖ 4 ... 20 mA with auxiliary power for 2-wire measuring transducer
- ❖ Direct current and direct voltage measurement
- ❖ Alternating voltage measurement
- ❖ Alternating current measurement in combination with current transformer
- ❖ Temperature measurement
- ❖ Frequency measurement

Display range pre-selection is accomplished by means of clearly arranged coded jumpers inside the instruments.

The corresponding potentiometers for fine adjustment can be accessed by removing the display filter from the front panel.

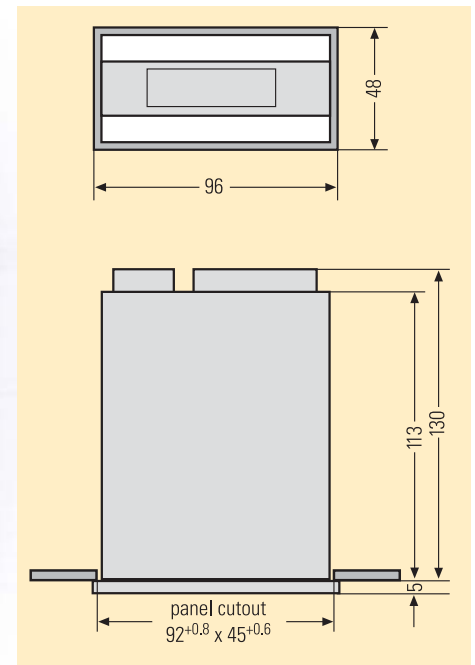
These measuring instruments are thus suitable for applications that require on-site display range adjustments.

Complete scaling within the 4 ... 20 mA measuring range can be accomplished only with the standard 4 mA signal.

DIGEM 96 x 48 AK5

3.5 Place Digital Indicator
Type A1065

- ❖ Robust metal casing
- ❖ Power supply electrically isolated from measuring circuit
- ❖ Also available with auxiliary power for 2-wire measuring transducers
- ❖ Display range max. $\pm 1\ 999$



Characteristic Values, DIGEM 96 x 48 AK5

Display

Type	7 Segment LED
Display Colour	red, optionally green
Character Height	approx. 14 mm
Display Range	$\pm 1\ 999$
Polarity	"-" is displayed automatically
Decimal Point	internally adjustable
Overflow display	blinking – top dash

Measuring Ranges

Direct Voltage	$\pm 200\text{ mV}$ to $\pm 300\text{ V}$ $\pm 60\text{ mV}$; $\pm 150\text{ mV}$ and $\pm 300\text{ mV}$
Direct Current	$\pm 200\ \mu\text{A}$ to $\pm 200\text{ mA}$ 0 ... 20 mA 4 ... 20 mA with power supply for 2-wire transducer

Alternating Voltage	0 ... 199,9 V; 0 ... 700 V
TRMS Voltage	0 ... 100,0 V; 0 ... 700 V
Alternating Current through current transformer	0 ... 1 A / 5 A
TRMS Current	0 ... 1 A / 5 A
Frequency	0 ... 500,00 Hz
Temperature	Pt100 0 ... 199,9 °C and – 200 ... 800 °C
Thermocouples	Typ J 0 ... 760 °C or Typ K 0 ... 1260 °C

Power Supply

230 V AC 50 / 60 Hz
115 V AC 50 / 60 Hz
24 V DC / AC

Ambient Conditions

Operating Temperature	0 ... + 50 °C
Storage Temperature	– 20 ... + 70 °C
Relative Humidity	max. 85 %
Contamination Level	2
Overvoltage Category	II

Casing

Protection	front panel: IP 50 rear panel: IP 20
Bezel	black
Weight	0.4 kg
Installation	screw clamp
Terminals	flat plug or screw terminal blocks