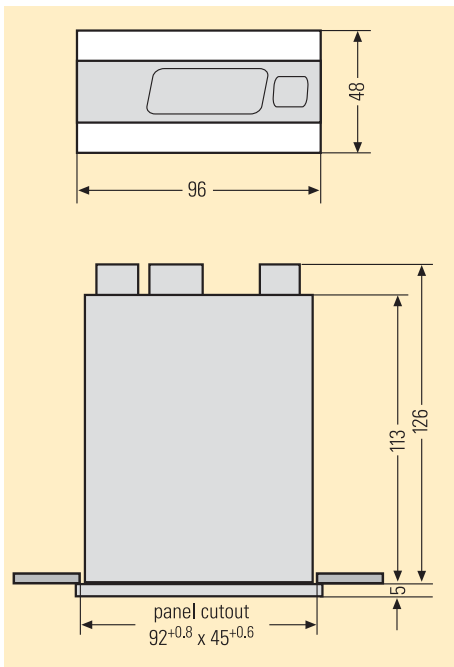


DIGEM 96 x 48 B5

4 Place Digital Indicator
Type A1385

- ❖ Front panel dimensions 96 x 48 mm
- ❖ Display range – 1 999 ... 9 999
- ❖ Can be optimally adapted to required measurement task with various measurement modules
- ❖ Two separately adjustable limit values (option)
- ❖ Extremely easy programming
- ❖ Power supply is electronically isolated from measuring circuit
- ❖ Also available with auxiliary power for 2-wire measuring transducers
- ❖ Casing suitable for grid mounting
- ❖ Quick installation with mounting slider



The modular DIGEM 96 x 48 B5 installation measurement instrument is extremely easy to program.

The instrument can be used for multiple measuring tasks, depending upon the installed measuring module. These tasks include:

- ❖ Direct voltage
- ❖ Direct current
- ❖ Alternating voltage
- ❖ Alternating current
- ❖ Temperature

The display range can be adapted for the 4 ... 20 mA and 0 .. 20 mA measuring ranges without a calibrator, even after installation of the instrument.

The measuring instrument is thus also suitable for applications that require frequent, on-site adjustments to the display.

The DIGEM 96 x 48 B5 is a high precision DC voltmeter, which is adapted to the required measuring task by the installed measuring module.

The measured values are processed by a microcomputer and displayed on a 7-segment display unit.

Upper and lower display range values, relay switching performance, limit values and hysteresis can all be adjusted with the front panel keys.

The selected parameters can be protected against unauthorised alteration with an external contact at the back of the instrument.

If limit values need to be adjusted during operation, protection can be disabled.

Each instrument is equipped with a control input which allows for the storage of display values to memory, and which freezes the current display. The measuring cycle is not influenced by this function.



Characteristic Values, DIGEM 96 x 48 B5

Display

Type	7 Segment LED
Display Colour	red
Character Height	14 mm
Display Range	– 1 999 ... 9 999
Polarity	“–” is displayed automatically
Decimal Point	programmable
Overflow Display	blinking – top dash

Measuring Ranges

Direct Voltage	± 60 mV to ± 300 V
Direct Current	± 2 mA to ± 200 mA and 0 ... 20 mA 4 ... 20 mA with power supply for 2-wire transducer

Alternating Voltage	0 ... 2 V to 0 ... 700 V
Alternating Current	0 ... 200 mA, 0 ... 1 A / 5 A
TRMS Voltage	0 ... 700 V
TRMS Current	0 ... 200 mA, 0 ... 1 A / 5 A
Crest factor	6 (additional 0,5 % of measurement value)
Temperature	Pt100 – 200 ... + 800 °C

Power Supply

	230 V / 115 V AC 50 / 60 Hz or 18 ... 36 V DC / 24 V AC
--	---

Ambient Conditions

Operating Temperature	0 ... + 50 °C
Storage Temperature	– 20 ... + 70 °C
Contamination Level	2
Overvoltage Category	II

Casing

Protection	front panel: IP 54 rear panel: IP 20
Bezel	black
Weight	0.3 kg
Installation	quick mounting tabs
Terminals	screw terminal blocks